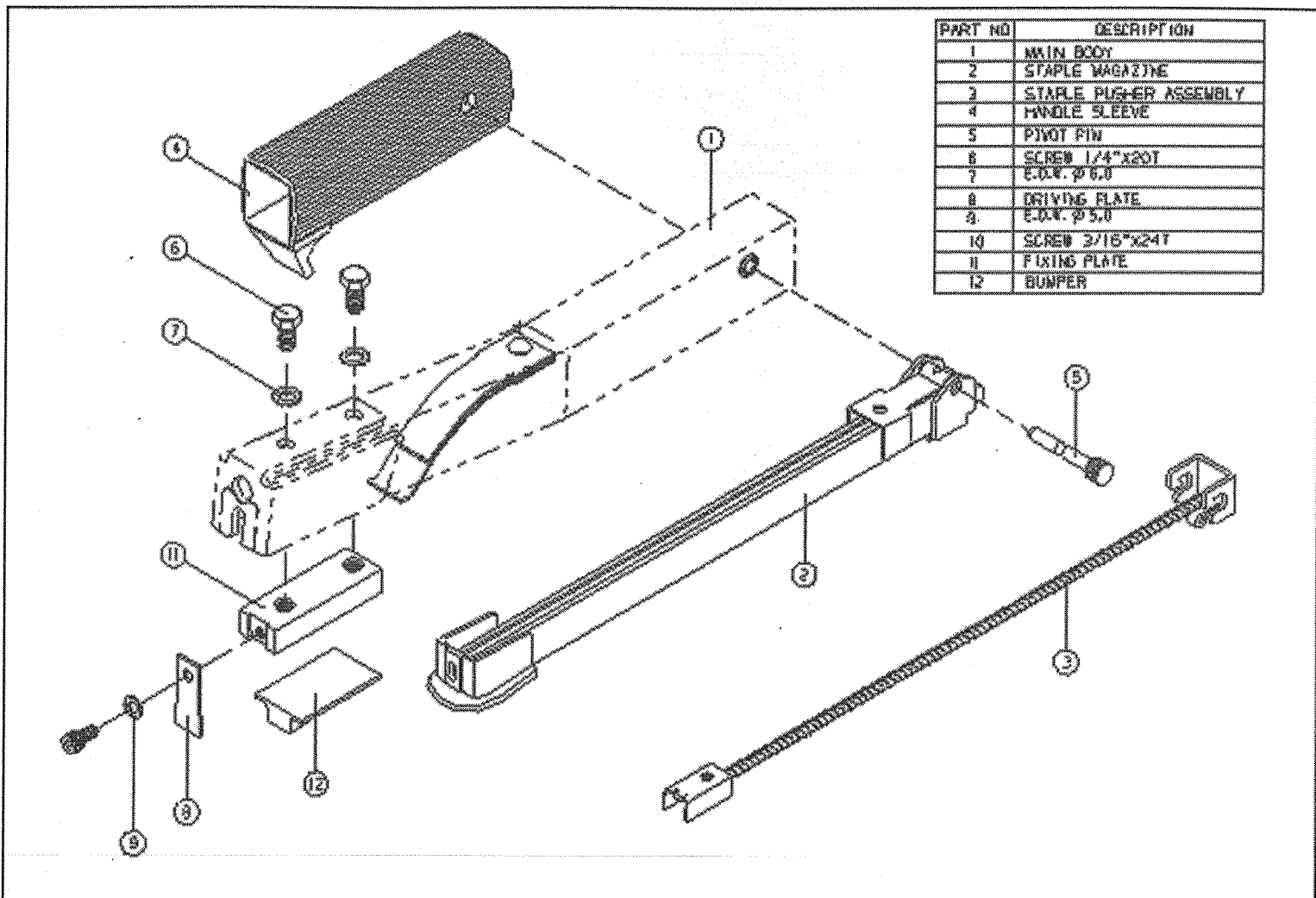


HD5019 & G54A Hammers



PART NO	DESCRIPTION
1	MAIN BODY
2	STAPLE MAGAZINE
3	STAPLE PUSHER ASSEMBLY
4	HANDLE SLEEVE
5	PIVOT PIN
6	SCREW 1/4"x20T
7	SCREW 1/4"x20T
8	DRIVING PLATE
9	SCREW 3/16"x24T
10	SCREW 3/16"x24T
11	FIXING PLATE
12	BUMPER

Part No
 G14755 - 01A
 G14755 - 03
 G14755 - 04
 G14755 - 05

Description
 Handle assy
 Pusher assy
 Handle grip
 Pivot pin