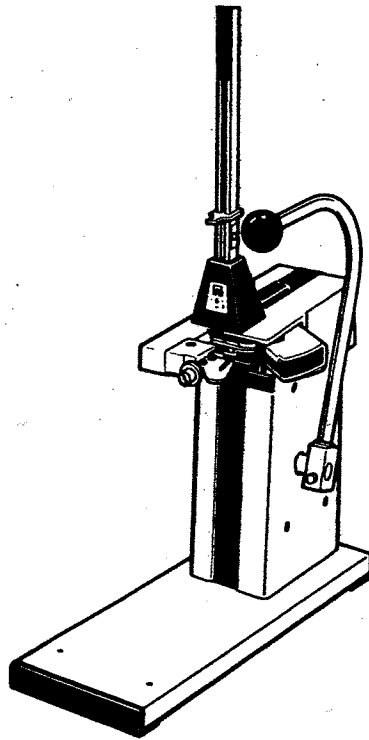


MAX SEALING MACHINE

PACKNER

HR-PSII

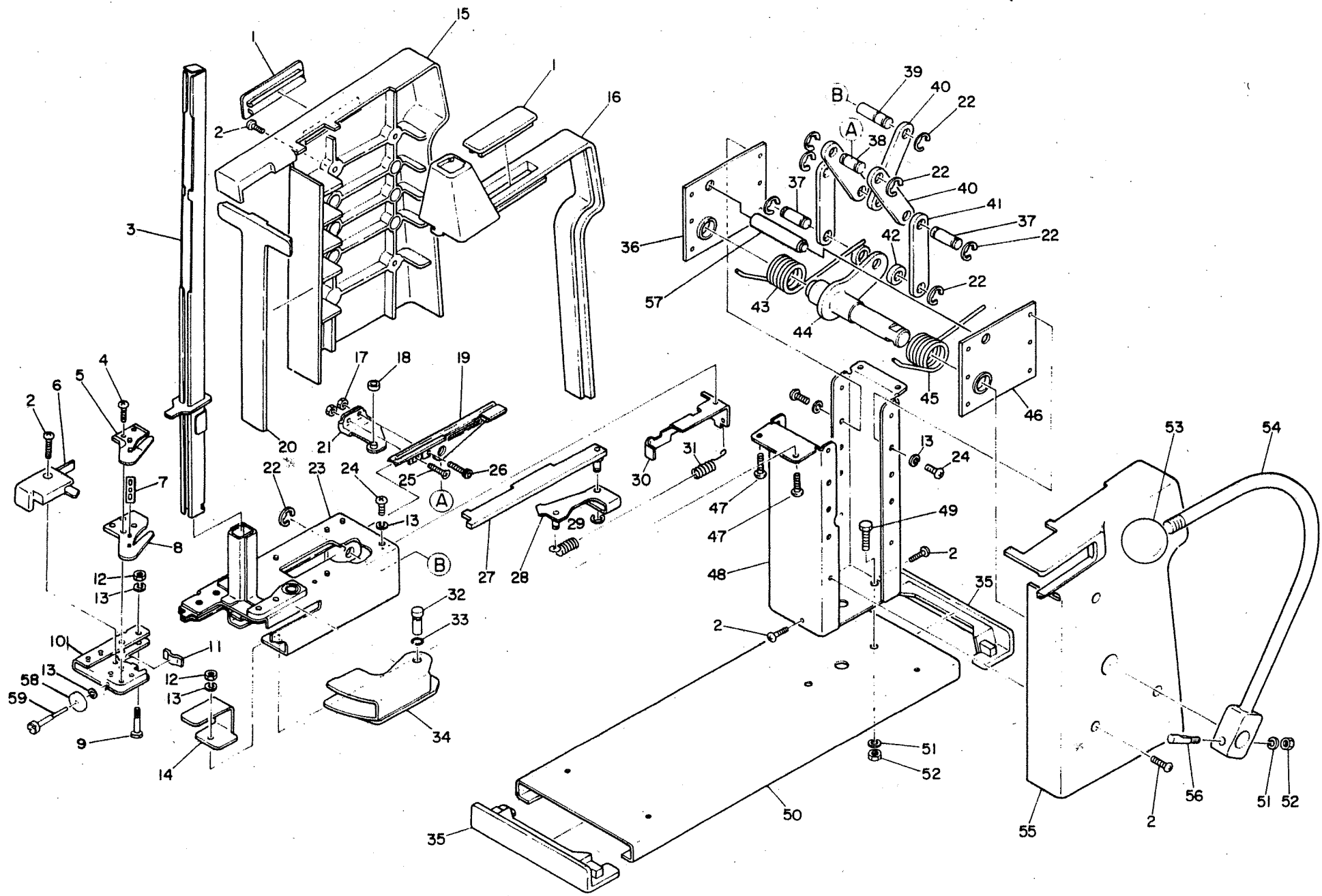
INSTRUCTIONS



▲ WARNING

- BEFORE USING THIS TOOL, STUDY THIS MANUAL TO ENSURE SAFETY WARNING AND INSTRUCTIONS.
 - KEEP FINGERS AWAY FROM THE CUTTER AND THE OPENING OF THE MACHINE.
 - ALWAYS CARRY THE BASE PLATE WHEN MOVING THE UNIT.
 - FIX THE MAIN UNIT FIRMLY WITH THE CLAMP OR THE NAILS.
 - NEVER USE THE TOOL WHICH IS DEFECTIVE OR PERFORMS ABNORMALLY.
 - INSPECT AND MAINTAIN DAILY OR BEFORE OPERATION.
- KEEP THESE INSTRUCTIONS WITH THE TOOL FOR FUTURE REFERENCE.
- THE CONTENT OF THIS MANUAL MIGHT BE CHANGED WITHOUT NOTICE FOR IMPROVEMENT.

MAX®



9 ASSEMBLY CHART & PARTS LIST

| Index No. | Parts No. | Parts Name | Index No. | Parts No. | Parts Name |
|-----------|-----------|-------------------------|-----------|-----------|--------------------------|
| 1 | HR 10273 | Cap Seal | 31 | KK 14003 | Torsion Spring 4003 |
| 2 | AA 21005 | +. Screw 4 × 10 | 32 | FF 41260 | Pin 1260 |
| 3 | HR 10278 | Magazine Unit | 33 | HR 10271 | Ring |
| 4 | AA 21002 | +. Screw 4 × 8 | 34 | HR 10205 | Poly Guide Unit |
| 5 | HR 10234 | Cutter Holder B | 35 | HR 10227 | Base Rubber |
| 6 | HR 10609 | Chincher Cover | 36 | HR 10256 | Bearing Unit A |
| 7 | HR 10059 | Cutter | 37 | FF 30270 | Pin 0270 |
| 8 | HR 10231 | Cutter Holder A | 38 | FF 30252 | Pin 252 |
| 9 | HR 10277 | Screw | 39 | FF 30269 | Pin 0269 |
| 10 | HR 10228 | Clincher Holder Unit | 40 | HR 10208 | Link-A |
| 11 | HR 10232 | Ckincher | 41 | HR 12011 | Link-C |
| 12 | CC 41003 | Hex. Nut 1-5 | 42 | HR 10608 | Link Coller |
| 13 | EE 11113 | Spring Washer 2-5 | 43 | KK 34023 | Torsion Coil Spring 4023 |
| 14 | HR 10265 | Roller Plate Guide | 44 | HR 10605 | Main Shaft Unit |
| 15 | HR 10611 | cover-L | 45 | KK 34024 | Torsion Coil Spring 4024 |
| 16 | HR 10242 | Seal B | 46 | HR 10257 | Bearing Unit B |
| 17 | CC 41002 | Hex. Nut 1-4 | 47 | AA 21011 | +. Screw 5 × 12 |
| 18 | HR 10204 | Roller | 48 | HR 10215 | Lower Frame |
| 19 | HR 10198 | Driver Unit | 49 | BB 71002 | Hex. Bolt 6 × 18 |
| 20 | HR 10241 | Seal A | 50 | HR 10224 | Base Unit |
| 21 | HR 10603 | Roller Plate Unit | 51 | EE 11114 | Spring Washer 2-6 |
| 22 | JJ 10001 | E-Ring 8 | 52 | CC 41004 | Hex. Nut 1-6 |
| 23 | HR 10601 | Upper Frame Unit | 53 | HR 10036 | Grip |
| 24 | AA 21010 | +. Screw 5 × 6 | 54 | HR 10220 | Lever Unit |
| 25 | AA 22001 | +. Screw 4 × 10 | 55 | HR 10610 | Cover-R |
| 26 | BB 40101 | Hex. Nut 4 × 12 | 56 | HR 10223 | Shaft Pin |
| 27 | HR 10290 | Slide Driver Guide Unit | 57 | HR 10614 | Link Stopper |
| 28 | HR 10268 | Sequence Plate Unit | 58 | HR 10236 | Look Nut |
| 29 | JJ 10002 | E-Ring 5 | 59 | HR 10235 | Adjustable Screw |
| 30 | HR 10270 | Guide Stopper | | | |

●Please indicate Parts Number when ordering.