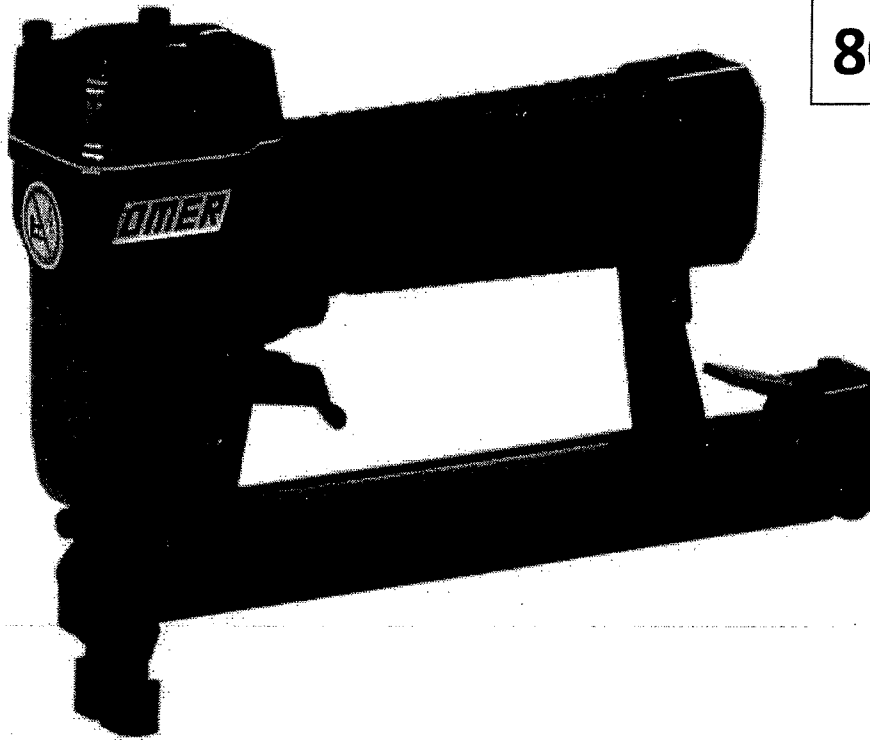




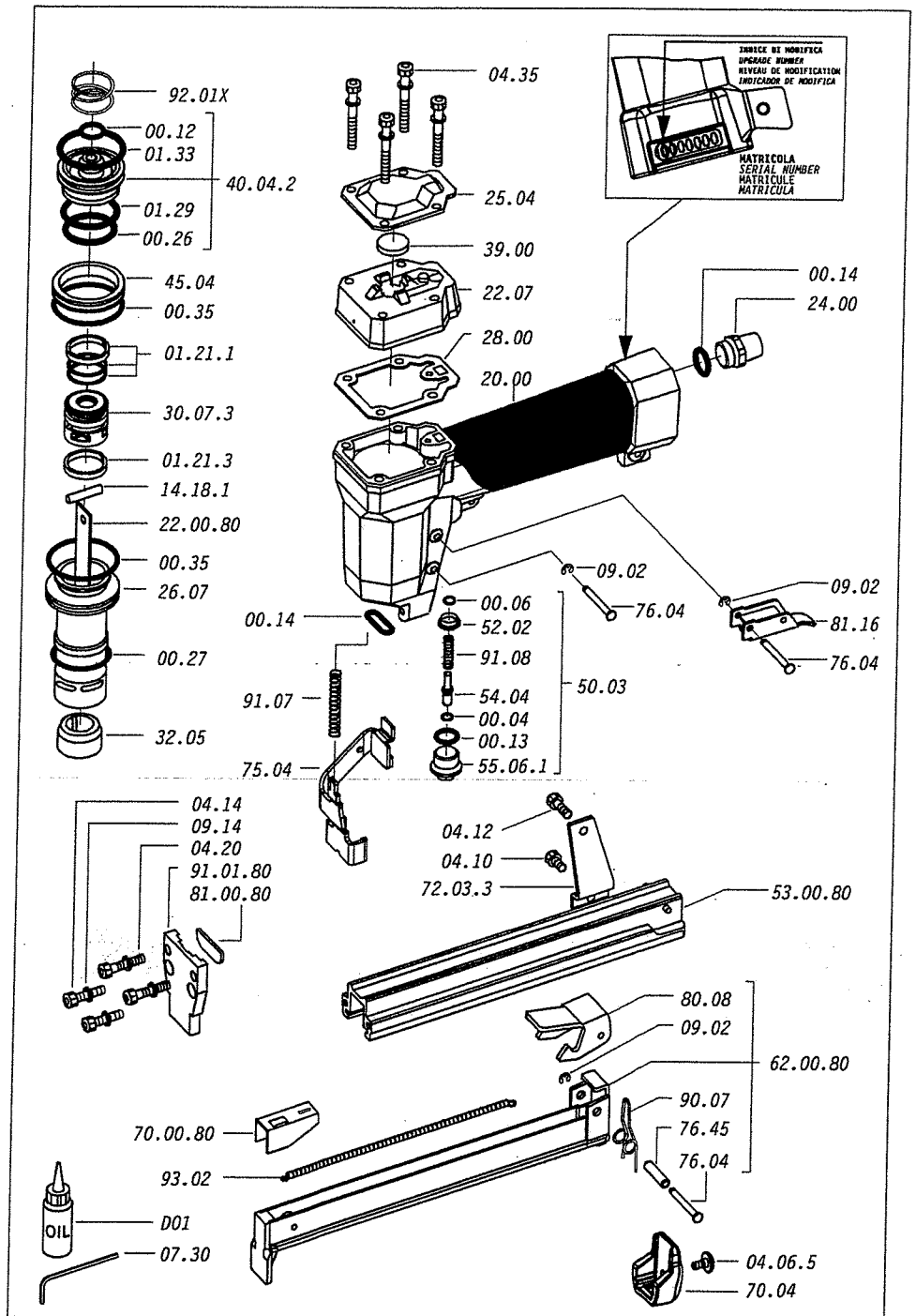
PNEUMATIC TOOLS AND FASTENERS



80.16 S

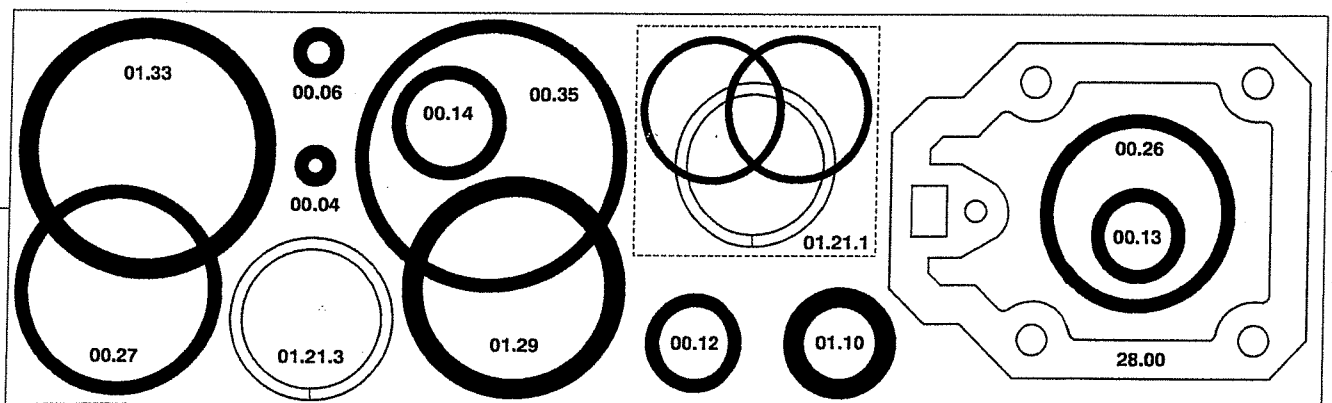
Technical Data	80.16 S	<p>Type of fastener</p> <p>80</p> <p>0,65x0,95</p> <p>Crown: .500" (1/2") Thickness: .025" Width: .037" Gauge: 21</p>
Usable lengths	4-16mm	
Magazine capacity	145	
Working pressure	4-6 bar 60-90 psi	
Air consumption	0.13 litres/shot	
Weight	0.90kg	
Dimensions	216 x 43 x 153 mm	
Sound pressure at the workstation ISO 11201: 1995	84.3 dB(A)	
Emitted sound power ISO 3744: 1994	93.7 dB(A)	
Weighted mean value of vibration on the grip ISO 8662-11 ISO 5349: 1986	<2.5 m/s ²	

Code	Description
00.04	O-Ring
00.06	O-Ring
00.12	O-Ring
00.13	O-Ring
00.14	O-Ring
00.26	O-Ring
00.27	O-Ring
00.35	O-Ring
01.21.1	O-Ring
01.21.3	Gasket
01.29	Gasket
01.33	O-Ring
04.06.5	Screw
04.10	Screw
04.12	Screw
04.14	Screw
04.20	Screw
04.35	Screw
07.30	Hex. bar wrench
09.02	Elastic ring
09.14	Washer
14.18.1	Pin
20.00	Body
22.07	Head
24.00	Silencer
25.04	Exhaust deflector
26.07	Cylinder
28.00	Gasket
30.07.3	Piston
32.05	Bumper
39.00	Exhaust gasket
40.04.2	Valve ass'y
45.04	Ring
50.03	Trigger valve ass'y
52.02	Bush
54.04	Trigger valve
55.06.1	Bush
72.03.3	Support
70.04	Guard
75.04	Safety
76.04	Pin
76.45	Pin
80.08	Trigger
81.16	Trigger
90.07	Spring
91.07	Spring
91.08	Spring
92.01X	Spring
93.02	Spring
22.00.80	Driver
53.00.80	Magazine
62.00.80	Slider
70.00.80	Pusher
81.00.80	Nose
91.01.80	Nose plate
D01	Oiler



O-Rings

Joints-Kit O-Rings



1146010_8016S_6_1005010_IV