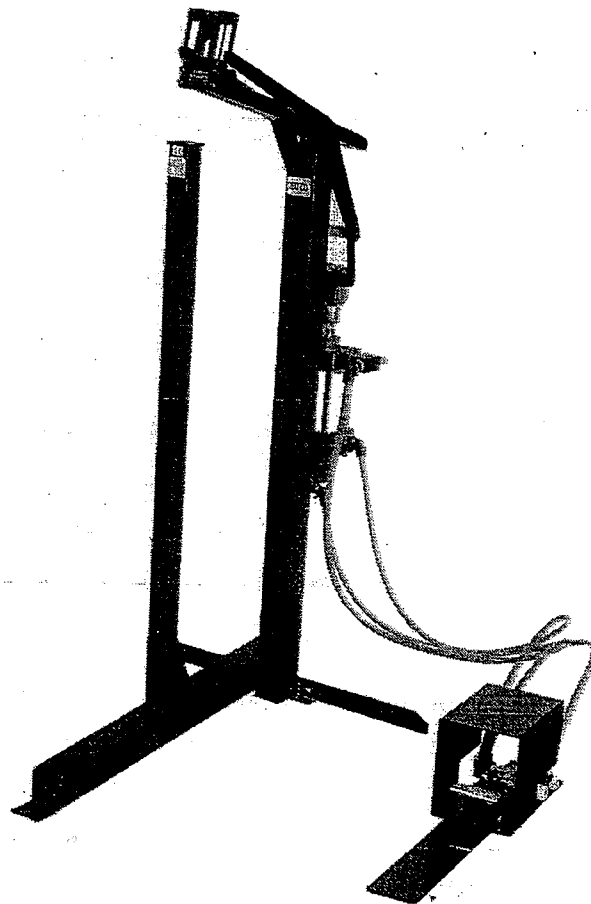


# PNEUMATIC BOTTOMER MODEL: CAB7437

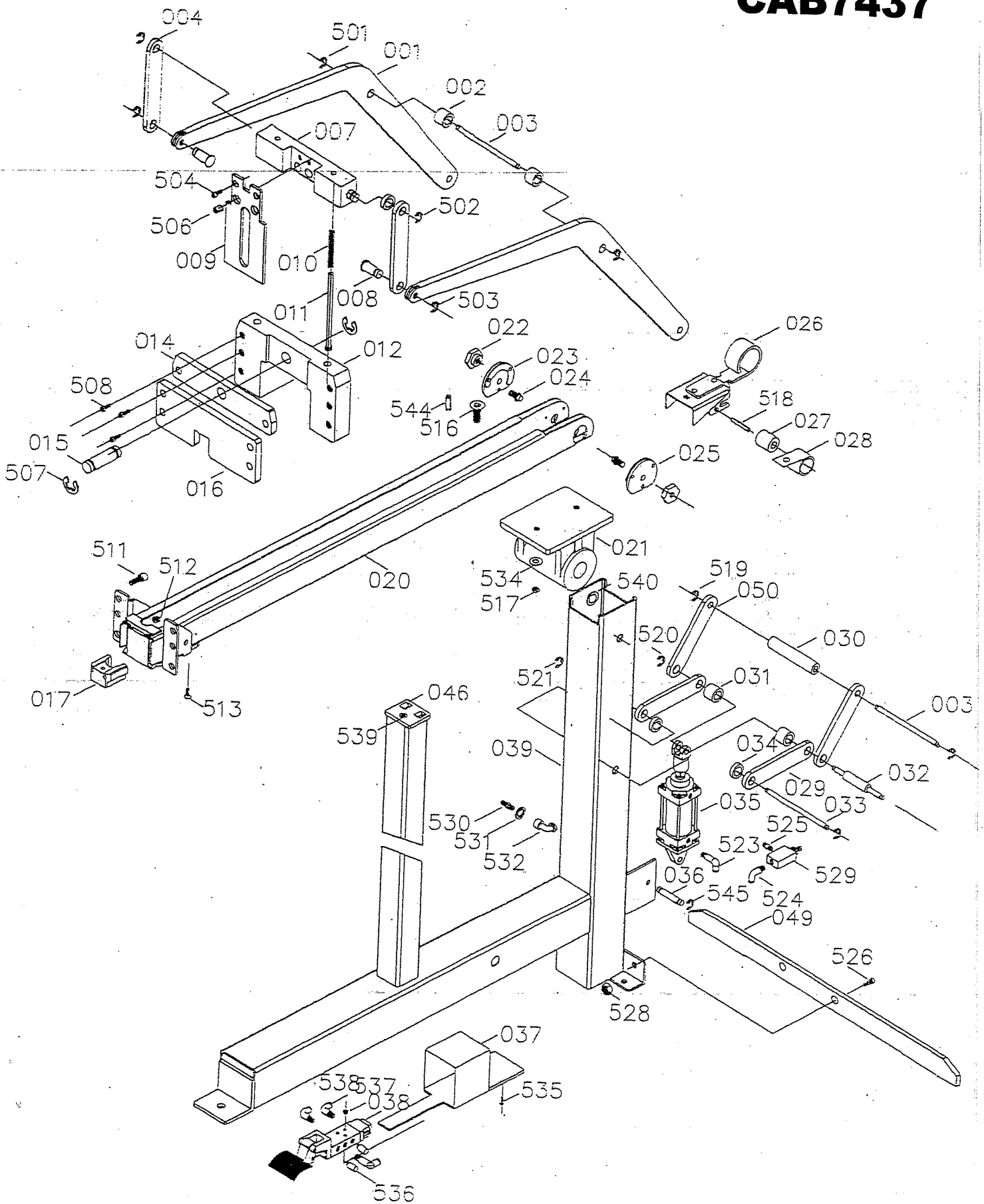
## MANUAL

### WARNING

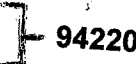
BEFORE OPERATING THIS STAPLER, ALL OPERATORS SHOULD STUDY THIS MANUAL. TO UNDERSTAND AND FOLLOW THE SAFETY WARNINGS AND INSTRUCTIONS. KEEP THESE INSTRUCTIONS WITH THE STAPLER FOR FUTURE REFERENCE. IF YOU HAVE ANY QUESTION, CONTACT WITH YOUR DISTRIBUTOR.



# CAB7437



Item	Parts No	Description	Qty	Specification
001	A00600102	LINK 1	2	New
002	A00603401	TUBE	2	
003	A00603201	SHAFT E	2	
004	A00600401	LINK 2	2	
007	A00600703	DRIVER SEAT	1	
008	A00600801	SHAFT C	2	
009	A00600906	DRIVER	1	34
009	A00600907	DRIVER	1	9040 , 7437
010	A00601002	SPRING	2	
011	A00601103A	SPRING SHAFT	2	
012	A00601204	MAGAZINE SEAT	1	34
012	A00601206	MAGAZINE SEAT	1	9040 , 7437
014	A00601405	COVER B	1	
015	A00601502	SHAFT D	1	
016	A00601605	COVER A	1	
017	A00607501	BRACKET	1	
020	CMB-S-34-P3-S	MAGAZINE UNIT	1	34
020	CMB-S-7437-P3-S	MAGAZINE UNIT	1	7437
021	CMB-P12	BRACKET SET	1	
022	A00607101	NUT	2	
023	A00103903A	RIGHT PUSHER GUIDE	1	
024	A00103203	ROD	2	
025	A00103904A	LEFT PUSHER GUIDE	1	
026	A00103711A	PUSHER SET	1	34
026	A00103714A	PUSHER SET	1	7437
027	A00103501	ROLLER	1	
028	A00602801	SPRING	1	
029	A00602901	LINK 3 -A	2	
030	A00603002	TUBE	1	
031	A00700704	TUBE	2	
032	A00700206	SHAFT K	1	
033	A00603302	SHAFT F	1	
034	A00603402	TUBE	2	
035	BAI0104	CYLINDER SET	1	φ80, S=75mm
036	A00700601	SHAFT M	1	
037	A00700302A	SWITCH COVER UNIT	1	
038	BAI0302	SWITCH	1	

Item	Parts No	Description	Qty	Specification
039	A00603905A	BODY SET	1	New
046	A00604606	MOLD	1	35 , 34 , 9040 , 7437
046	A00604605	MOLD	1	32
049	A00604901	BALANCER	1	
050	A00602903	LINK 3 -C	2	New
501	BAF11002	E-RING	2	φ10
502	BAF10502	E-RING	2	φ5
503	BAF10502	E-RING	2	φ5
504	BAC0604102	HEX.SOC.HD.BOLT	2	M4 x 0.7-10
506	BAA060016	SPRING PIN	2	φ6-16
507	BAF10602	E-RING	2	φ6
508	BAC0605102	HEX.SOC.HD.BOLT	6	M5 x 0.8-10
511	BAC0605082	HEX.SOC.HD.BOLT	6	M5 x 0.8-8
512	BAD01041	LOCK NUT	1	M4 x 0.7
513	BAC0204202	HEX.SOC.FLAT COUNTER SUNK HD. SCREW	1	M4 x 0.7-20
516	BAC0205202	HEX.SOC.FLAT COUNTER SUNK HD. SCREW	2	M5 x 0.8-20
517	BAD02051	LOCK NUT	2	M5 x 0.8
518	BAA040016	SPRING PIN	1	φ4-16
519	BAF11002	E-RING	2	φ10
520	BAF11002	E-RING	2	φ10
521	BAF11002	E-RING	2	φ10
523	BAI0703	PU PLUG	1	3/8" x φ 12-90°
524	BAI0703	PU PLUG	1	3/8" x φ 12-90°
525	BAI1002	DOUBLE SCREW TUBE	1	3/8"X3/8"
526	BAC0408202	HEX.SOC.HD.BOLT	2	M8 x 1.25-20
528	BAD01081	LOCK NUT	2	M8 x 1.25
529	BAI1102	QUICK EXHAUST	1	3/8"
530			1	
530	 94220	AIR PLUG	1	
530			1	
531	BAE01122	SPRING WASHER	1	φ 12
532	BAI1203	PU PLUG	1	内牙 1/4" x φ 12-90°
534	BAE03051	WASHER	2	φ 5.1x φ 12x φ 0.8T
535	BAC050012	FLAT HEAD SCREW	3	3/16" UNC
536	BAI0503	DEFLECTOR	2	3/8"
537	BAD03012	NUT	3	3/16" NUC
538	BAI0703	PU PLUG	3	3/8" x 8-90°
539	BAC0904082	HEX.SOC.ROUND.HD.SCREW	2	M4 x 0.7-8
540	BAE03162	WAVE WASHER	2	φ16.5 x φ23
541	BAI0803	TUBE	2	φ8 x φ12x130 CM
542	BAI0804	TUBE	1	φ8 x φ12x145CM
543	BAI0805	TUBE	1	φ8 x φ12x120CM
544	BAA040012	SPRING PIN	4	φ4 x 12
545	BAF11502	E-RING	2	φ15