



CN650M

PNEUMATIC COIL NAILER



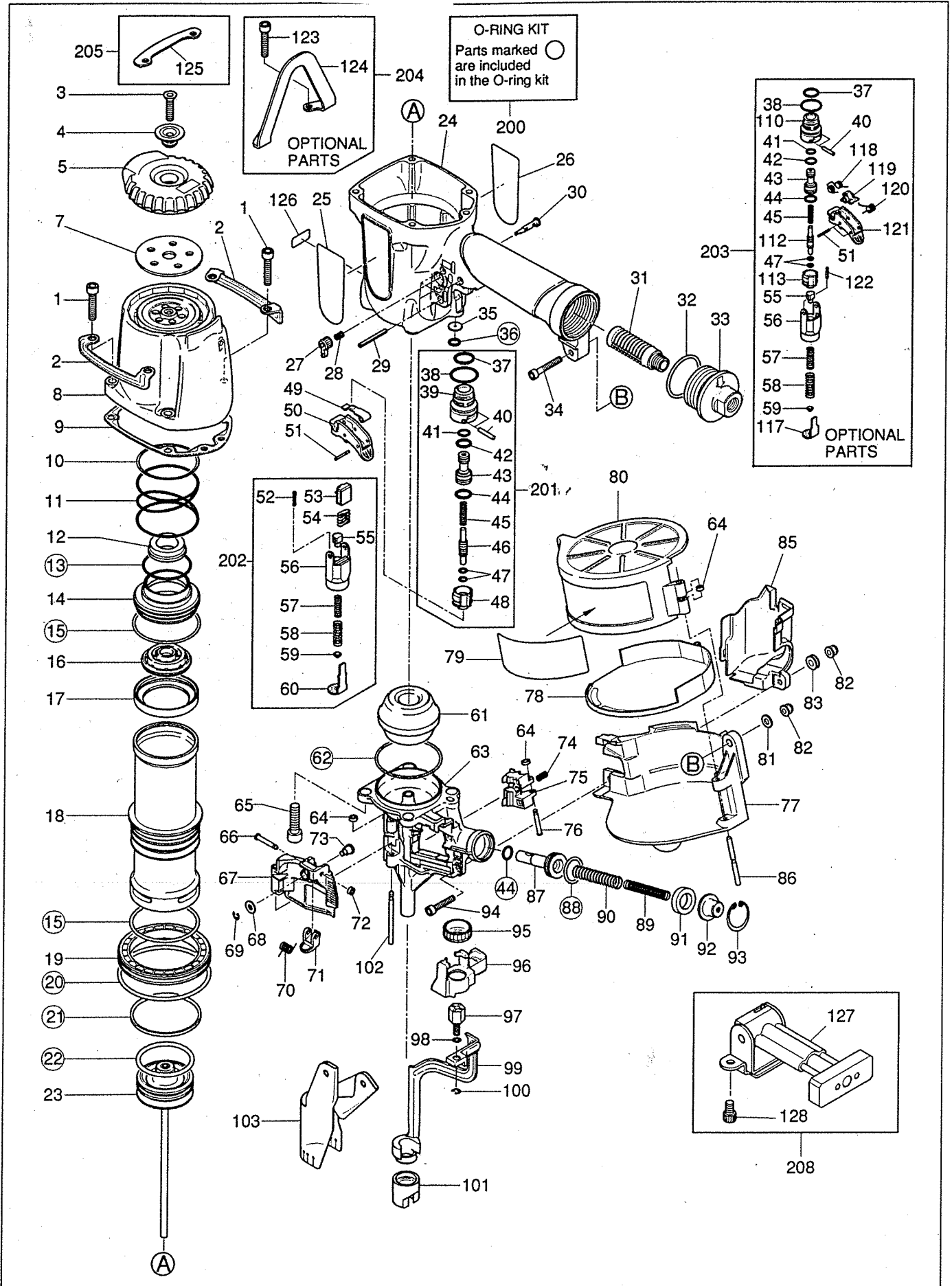
OPERATING and MAINTENANCE MANUAL

 **WARNING:**

BEFORE USING THIS TOOL, STUDY THIS MANUAL TO ENSURE SAFETY WARNING AND INSTRUCTIONS.
KEEP THESE INSTRUCTIONS WITH THE TOOL FOR FUTURE REFERENCE.

CN650M(CE) METAL & CONCRETE COIL NAILER

EXPLODED
NEW AND SPARE
PARTS LIST



CN650M (CE)

ITEM NO.	PART NO.	ENGLISH
1	BB40422	SCREW M6×30
2	CN36348	PROTECTOR
3	AA82411	SCREW M6×27
4	KN11393	EXHAUST COVER HOLDER
5	CN35294	EXHAUST COVER
6		
7	KN11392	EXHAUST FILTER "B"
8	CN70165	CYLINDER CAP UNIT
9	CN36308	CYLINDER CAP SEAL
10	CN36331	PLAIN WASHER "A"
11	KK23655	COMPRESSION SPRING 3655
12	CN36107	PLAIN WASHER "B"
13	HH11141	O-RING 1AS568-130
14	CN35290	HEAD VALVE PISTON
15	HH12101	O-RING 1AG55
16	CN35289	PISTON STOP
17	CN34994	HEAD VALVE SEAL
18	CN36358	CYLINDER
19	CN36312	CYLINDER RING
20	HH14152	O-RING 1AS568-231
21	CN36330	CHECK VALVE
22	HH11809	O-RING P53
23	CN70168	MAIN PISTON UNIT
24	CN70176	FRAME
25	CN36376	LABEL "CN650M(CE)"
26	CN35636	WARNING LABEL(FRAME)
27	CN35075	TRIGGER LOCK LEVER
28	KK23507	COMPRESSION SPRING 3507
29	FF21611	ROLL PIN 3×32 AW
30	CN35074	TRIGGER LOCK DIAL
31	TA17024	END CAP FILTER KM-23
32	HH12118	O-RING 1AG35
33	TA17032	END CAP
34	BB40470	SCREW M5×32
35	CN36372	RUBBER WASHER
36	HH11105	O-RING 1AP7
37	HH11125	O-RING 1AP12
38	HH11138	O-RING 1AP20
39	CN33909	TRIGGER VALVE HOUSING
40	FF30161	STRAIGHT PIN 161
41	HH11119	O-RING 1AP6
42	HH11209	O-RING 1BP7
43	CN33627	PILOT VALVE
44	HH11113	O-RING 1AP9
45	KK24123	COMPRESSION SPRING 4123
46	CN35128	TRIGGER VALVE STEM
47	HH11901	O-RING 1B 1.4×25
48	CN33910	TRIGGER VALVE CAP
49	CN35115	CONTACT LEVER
50	CN35001	TRIGGER
51	FF22402	ROLL PIN 3×16
52	KK23129	COMPRESSION SPRING 3129
53	CN35656	LEVER
54	CN34500	SPRING, LEVER
55	CN35059	CONTACT ARM GUIDE "B"
56	CN35002	CONTACT ARM GUIDE "A"
57	KK23735	COMPRESSION SPRING 3735
58	KK23736	COMPRESSION SPRING 3736
59	CN35004	CONTACT BUMPER
60	CN35003	CONTACT ARM "A"
61	KN11219	BUMPER
62	HH11162	O-RING 1AS568-140
63	CN36361	NOSE
64	EE39602	RUBBER WASHER 7
65	BB40443	SCREW M8×28
66	FF41599	STEP PIN 1599
67	CN36369	DOOR
68	EE39814	PLAIN WASHER "D"
69	JJ10405	RETAINER "E" 4mm
70	KK33261	TORSION SPRING 3261

CN650M (CE)

ITEM NO.	PART NO.	ENGLISH
71	CN33679	DOOR LATCH
72	EE39609	RUBBER WASHER 1.8×6×2
73	FF41837	STEP PIN 1837
74	KK23710	COMPRESSION SPRING 3710
75	CN36373	FEED PAWL
76	FF41820	STEP PIN 1820
77	CN36368	MAGAZINE
78	CN36370	NAIL SUPPORT
79	CN36377	LABEL
80	CN33216	MAGAZINE COVER
81	EE31105	SPACER
82	CC00401	ELASTIC STOP NUT M5
83	CN32170	COLLAR
84		
85	CN36363	COVER
86	FF31244	STRAIGHT PIN 1244
87	CN36317	FEED PISTON
88	HH11107	O-RING 1AP18
89	KK23627	COMPRESSION SPRING
90	KK23335	COMPRESSION SPRING 3335
91	CN31953	FEED PISTON STOP
92	CN35285	SPRING COLLER
93	JJ22408	RETAINING RING C24
94	BB40460	SCREW M5×28
95	CN35007	ADJUST DIAL
96	CN36322	SPACER
97	CN35006	CONTACT ARM "C"
98	HH11903	O-RING 1A1.2×4
99	CN70171	CONTACT ARM "B" UNIT
100	JJ10404	RETAINER "E" 3.2mm
101	HN10184	HOLDER
102	FF31250	STRAIGHT PIN 1250
103	CN36362	DUST COVER
110	CN31323	TRIGGER VALVE HOUSING
111		
112	CN33723	TRIGGER VALVE STEM
113	CN31346	TRIGGER VALVE CAP
114		
115		
116		
117	CN35140	CONTACT ARM "A"
118	KK33247	TORSION SPRING 3247
119	TA16138	S.T.LEVER
120	KK33144	TORSION SPRING 3144
121	CN35648	TRIGGER
122	KK23282	COMPRESSION SPRING 3282
123	BB40438	SCREW M6×32
124	CN36374	HANGER
125	CN36333	PROTECTOR "B"
126	CN34309	LABEL, PLASTIC SHEET
127	CN33662	HANGER UNIT
128	BB40415	SCREW M5×10
200	CN81072	O-RING KIT
201	CN80546	TRIGGER VALVE KIT
202	CN81013	ARM GUIDE KIT
203	CN80535	SEQUENTIAL TRIP KIT
204	CN81069	HANGER KIT
205	CN81070	PROTECTOR "B" KIT
206		
207		
208	CN81073	VERTICAL DRIVE STAND KIT