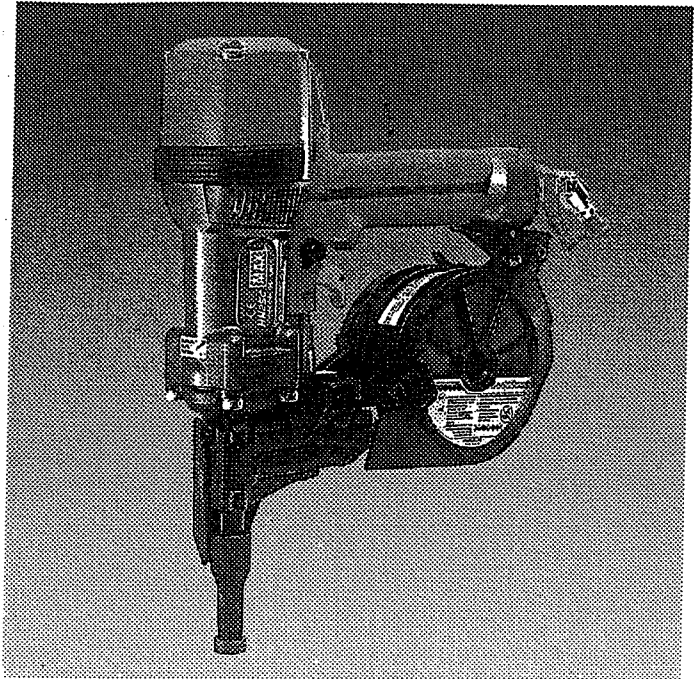


MAX®

HN25C

HIGH PRESSURE CONCRETE TOOL



OPERATING and MAINTENANCE MANUAL

⚠ WARNING:

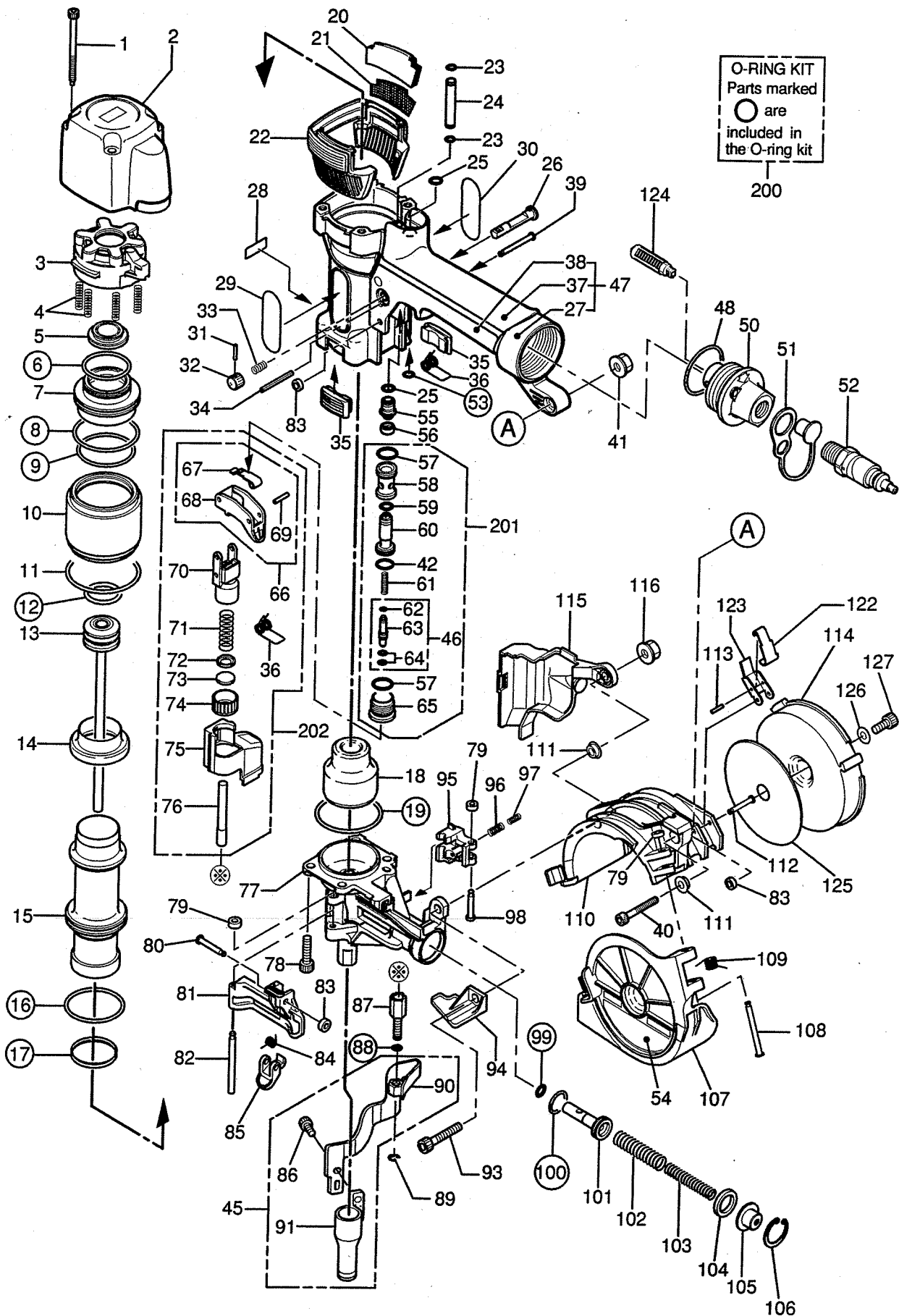
BEFORE USING THIS TOOL, STUDY THIS MANUAL TO ENSURE SAFETY WARNING AND INSTRUCTIONS.
KEEP THESE INSTRUCTIONS WITH THE TOOL FOR FUTURE REFERENCE.

Updated September 2007

May 2007

HN25C

EXPLODED
VIEW AND SPARE
PARTS LIST



HN25C

| ITEM NO. | PART NO. | ENGLISH |
|----------|----------|---------------------------------|
| 1 | HN10130 | SCREW 5x66 |
| 2 | HN10111 | CYLINDER CAP |
| 3 | HN10005 | INNER CAP |
| 4 | KK23650 | COMPRESSION SPRING 3650 |
| 5 | HN10009 | PISTON STOP |
| 6 | HH19217 | O-RING 1B 2.4x31.8 |
| 7 | HN10007 | HEAD VALVE PISTON |
| 8 | HH19165 | O-RING 1A 2.6x46.5 |
| 9 | HH19723 | O-RING 1A 2.6x43.4 |
| 10 | HN10113 | HEAD VALVE GUIDE |
| 11 | HH12104 | O-RING 1A 2.4x48.3 |
| 12 | HH11805 | O-RING P22A |
| 13 | HN70074 | MAIN PISTON UNIT |
| 14 | HN10013 | CYLINDER SEAL |
| 15 | HN10116 | CYLINDER |
| 16 | HH19150 | O-RING 1A 3.1x40.5 |
| 17 | CN32064 | CHECK PAWL |
| 18 | HN10015 | BUMPER |
| 19 | HH19168 | O-RING 1A 1.5x44 |
| 20 | HN10047 | FILTER B |
| 21 | HN10046 | FILTER A |
| 22 | HN10056 | EXHAUST COVER UNIT ASSY (HN-65) |
| 23 | HH19722 | O-RING 1A 1.5x5 |
| 24 | HN10112 | PIPE |
| 25 | HH19127 | O-RING 1A 1.5x6.6 |
| 26 | CN34699 | TRIGGER LOCK LEVER |
| 27 | HN10733 | FRAME |
| 28 | CN34309 | COUPLING CAUTION SEAL |
| 29 | CN37185 | NAME LABEL |
| 30 | HN10039 | CAUTION LABEL |
| 31 | FF21201 | ROLL PIN 2.5x10 |
| 32 | HN10327 | TRIGGER LOCK DIAL |
| 33 | KK23507 | COMPRESSION SPRING 3507 |
| 34 | FF21235 | ROLL PIN 3x30 |
| 35 | HN10035 | PROTECTOR A |
| 36 | KK33346 | TORSION SPRING 3237 |
| 37 | HN10050 | GRIP COVER A |
| 38 | HN10051 | GRIP COVER B |
| 39 | FF41842 | STEP PIN 1842 |
| 40 | BB40470 | SCREW 5x32 |
| 41 | CC00401 | HEX NUT M5 |
| 42 | HH11132 | O-RING 1AP10A |
| 43 | | |
| 44 | | |
| 45 | NC13007 | CONTACT NOSE UNIT |
| 46 | HN81046 | STEM ASSY |
| 47 | HN81027 | FRAME ASSY |
| 48 | HH12118 | O-RING 1AG35 |
| 49 | | |
| 50 | HN10313 | END CAP |
| 51 | HN10316 | END PLUG CAP |
| 52 | TT05425 | AIR PLUG H-FPM |
| 53 | HH12904 | O-RING 1A 1x6.2 |
| 54 | HN10754 | WARNING LABEL |
| 55 | HN10043 | PILOT CAP |
| 56 | HN10018 | PILOT SEAL |
| 57 | HH12105 | O-RING 1A 1.5x12.8 |
| 58 | HN10016 | TRIGGER VALVE HOUSING |
| 59 | HH11804 | O-RING P6 |

HN25C

| ITEM NO. | PART NO. | ENGLISH |
|----------|----------|----------------------|
| 124 | TA17024 | END CAP FILTER KM-23 |
| 125 | NC13004 | MAGAZINE SPACER |
| 126 | EE31108 | WASHER |
| 127 | BB40427 | HEX BOLT 4X8 |
| 200 | HN81045 | O-RING KIT |
| 201 | HN81048 | TRIGGER VALVE KIT |
| 202 | HN81049 | ARM GUIDE KIT |

| ITEM NO. | PART NO. | ENGLISH |
|----------|----------|------------------------------|
| 60 | HN10017 | PILOT VALVE |
| 61 | KK23619 | COMPRESSION SPRING 3619 |
| 62 | HH19707 | O-RING 1A 1.4x2.5 |
| 63 | HN10057 | TRIGGER VALVE STEM |
| 64 | HH19214 | O-RING 1B 1.5x3 |
| 65 | HN10019 | TRIGGER VALVE CAP |
| 66 | HN80040 | TRIGGER ASSY |
| 67 | HN10100 | CONTACT LEVER |
| 68 | CN35260 | TRIGGER |
| 69 | FF22402 | ROLL PIN 3x16 |
| 70 | HN10021 | ARM GUIDE |
| 71 | KK23902 | COMPRESSION SPRING 3902 |
| 72 | HN10041 | CONTACT BUMPER |
| 73 | HN10103 | CONTACT COLLAR |
| 74 | HN10026 | ADJUST DIAL |
| 75 | HN10029 | ADJUST SPACER |
| 76 | HN10101 | CONTACT ARM A |
| 77 | HN10718 | NOSE |
| 78 | BB40213 | SCREW 6x25 |
| 79 | EE39602 | RUBBER WASHER 7 |
| 80 | FF41599 | STEP PIN 1599 |
| 81 | HN10716 | DOOR |
| 82 | FF31256 | PARALLEL PIN 1256 |
| 83 | EE39609 | RUBBER WASHER 1.8x6x2 |
| 84 | KK33261 | TORSION SPRING 3261 |
| 85 | CN33679 | DOOR LATCH |
| 86 | BB40416 | SCREW 6x10 |
| 87 | HN10027 | CONTACT BOLT |
| 88 | HH11903 | O-RING 1A 1.2x4 |
| 89 | JJ10404 | E-RETAINING RING 3.2 (STICK) |
| 90 | HN70075 | CONTACT ARM B UNIT |
| 91 | NC13001 | CONTACT NOSE |
| 93 | BB40438 | SCREW 6x32 |
| 94 | HN10309 | NAIL GUIDE |
| 95 | HN10719 | FEED PAWL |
| 96 | KK23710 | COMPRESSION SPRING 3710 |
| 97 | KK23788 | COMPRESSION SPRING 3788 |
| 98 | FF41820 | STEP PIN 1820 |
| 99 | HH11113 | O-RING 1AP9 |
| 100 | HH11106 | O-RING 1AP16 |
| 101 | HN10031 | FEED PISTON |
| 102 | KK23896 | COMPRESSION SPRING 3896 |
| 103 | KK23627 | COMPRESSION SPRING 3627 |
| 104 | CN32093 | FEED PISTON STOP |
| 105 | HN10299 | SPRING COLLAR |
| 106 | JJ22408 | C-RETAINING RING 24 |
| 107 | HN10732 | MAGAZINE CAP |
| 108 | FF41281 | STEP PIN 1281 |
| 109 | KK33218 | TORSION SPRING 3218 |
| 110 | HN10731 | MAGAZINE HOLDER |
| 111 | CN30707 | COLLAR |
| 112 | FF41599 | STEP PIN 1599 |
| 113 | FF21234 | ROLL PIN 3x12 |
| 114 | NC13002 | MAGAZINE |
| 115 | HN10722 | ARM COVER |
| 116 | CC00402 | HEX NUT M6 |
| 122 | HN10308 | MAGAZINE HOOK |
| 123 | HN10737 | MAGAZINE LOCK LEVER |

September 2007