



Model ME4000 Electric Stapler



SIFCO

fastening solutions

AUCKLAND
34 Lansford Cres
Avondale
Ph (09) 828 2019
Fax (09) 828 2017

TAURANGA
3/94 Newton Rd
Mt Maunganui
(07) 575 0088
(07) 575 0088

WELLINGTON
350 Jackson St
Petone
(04) 568 7065
(04) 568 7064

CHRISTCHURCH
8 Holt Place
Burnside
(03) 358 8135
(03) 358 8930

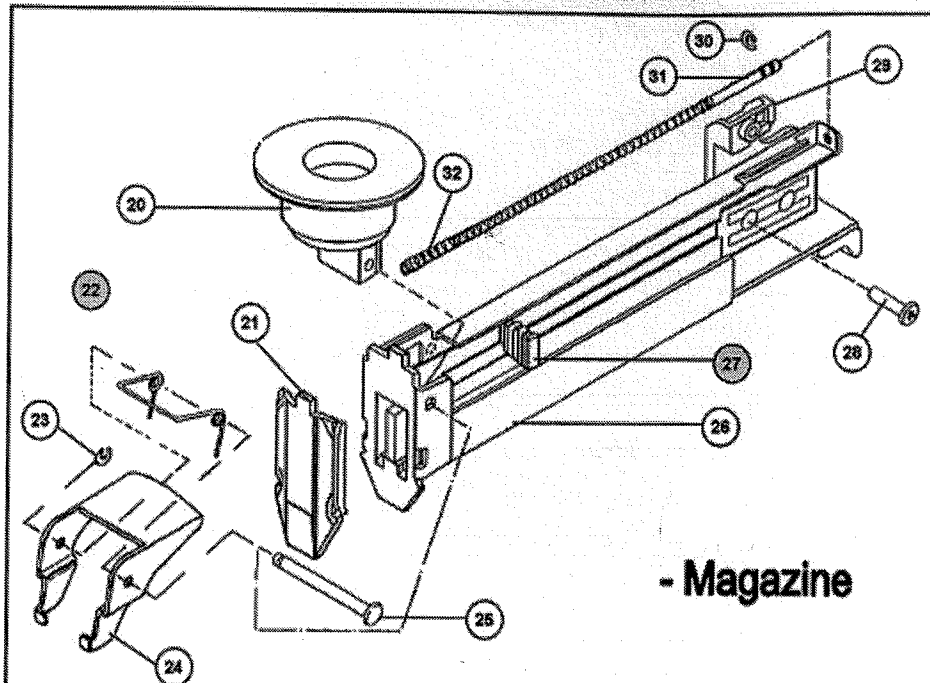
Email: sales@sifco.co.nz



Romeo Maestri

FOR TECHNICAL SERVICE ONLY

Ed.11-2004



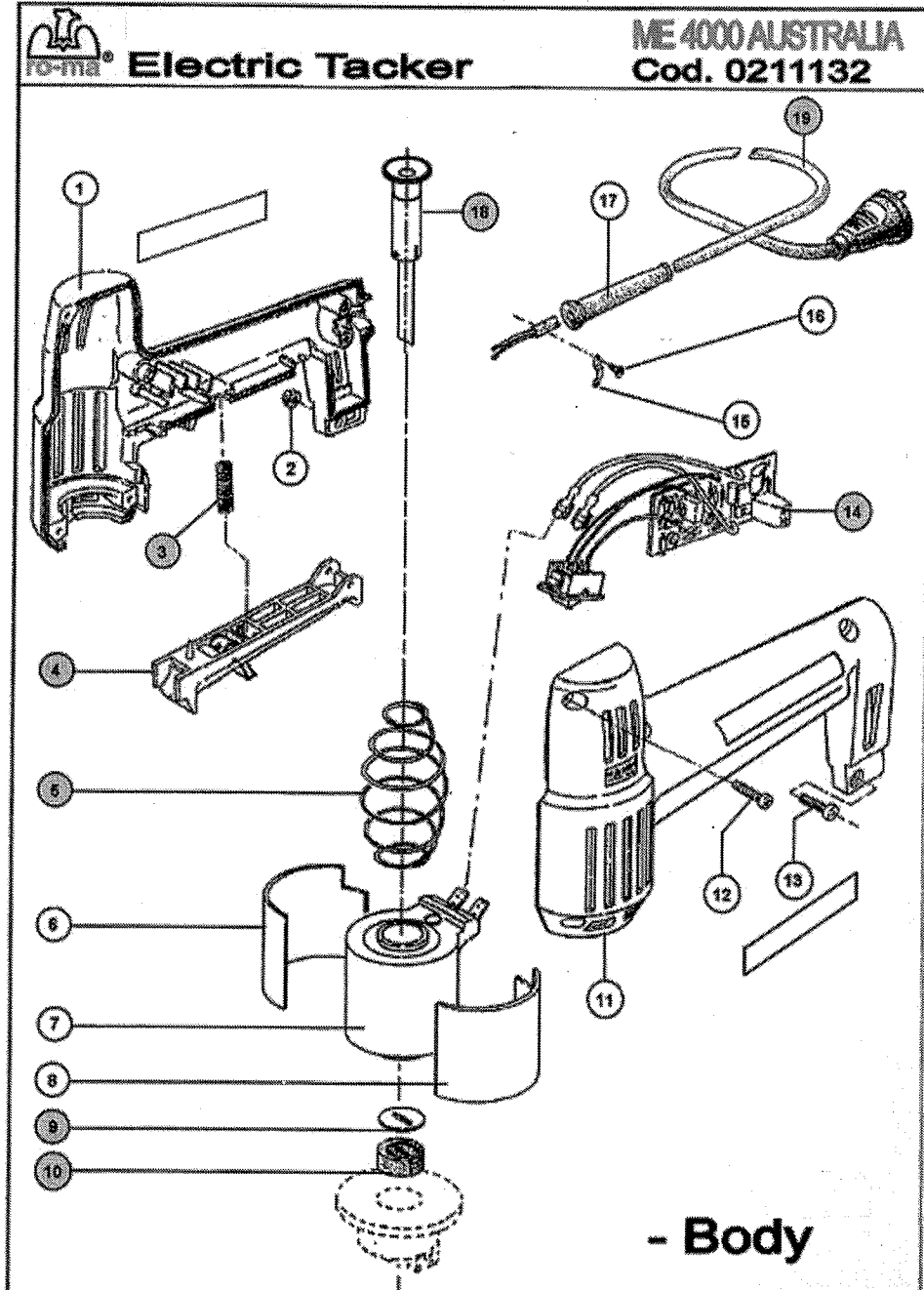
- Magazine

Rif.No.	Code
1+11+12	49061
2	61002
3+4	49060
6+8+10	49012
6	70360
7	40017
8	70361
13	50004
14	40012
15	70352
16	50028
17+19	49026
18	42361
20	70821
21	71233
22	70819

Rif.No.	Code
23	54006
24	71406
25	70602
26	42706
27	62269
28	50205
29	62492
30	54011
31	71357
32	70801

Rif.No.	Code
26+27+28+29 30+31+32	42704

RECOMMENDED SPARE PARTS



- Body

26/9/05