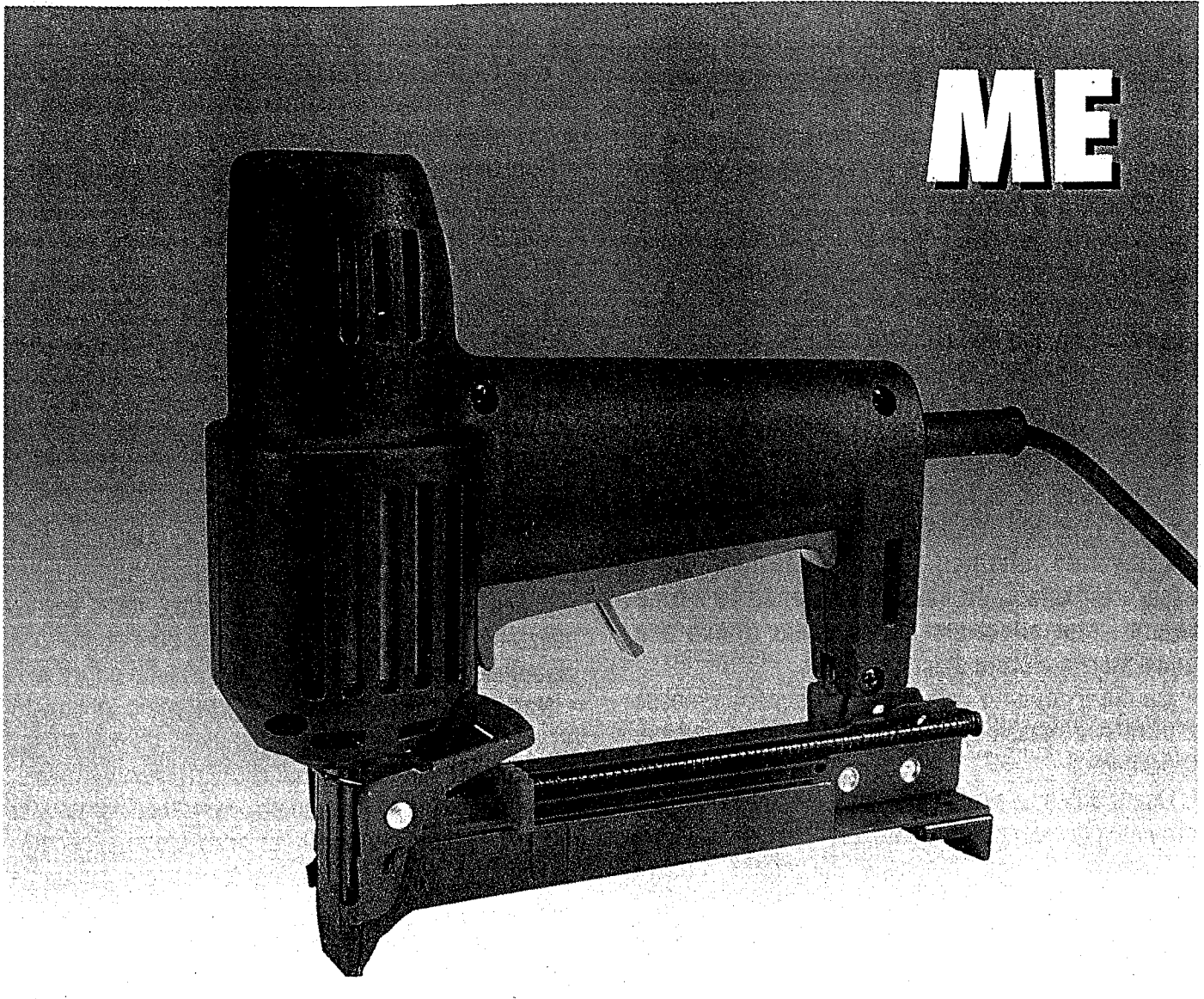


ro-ma[®] romeo maestri

Cornaredo-MILANO - ITALY

ME80

220 - 240 V \tilde{A} C



SIFCO[®]
fastening solutions

AUCKLAND
34 Lansford Cres
Avondale
Ph (09) 828 2019
Fax (09) 828 2017

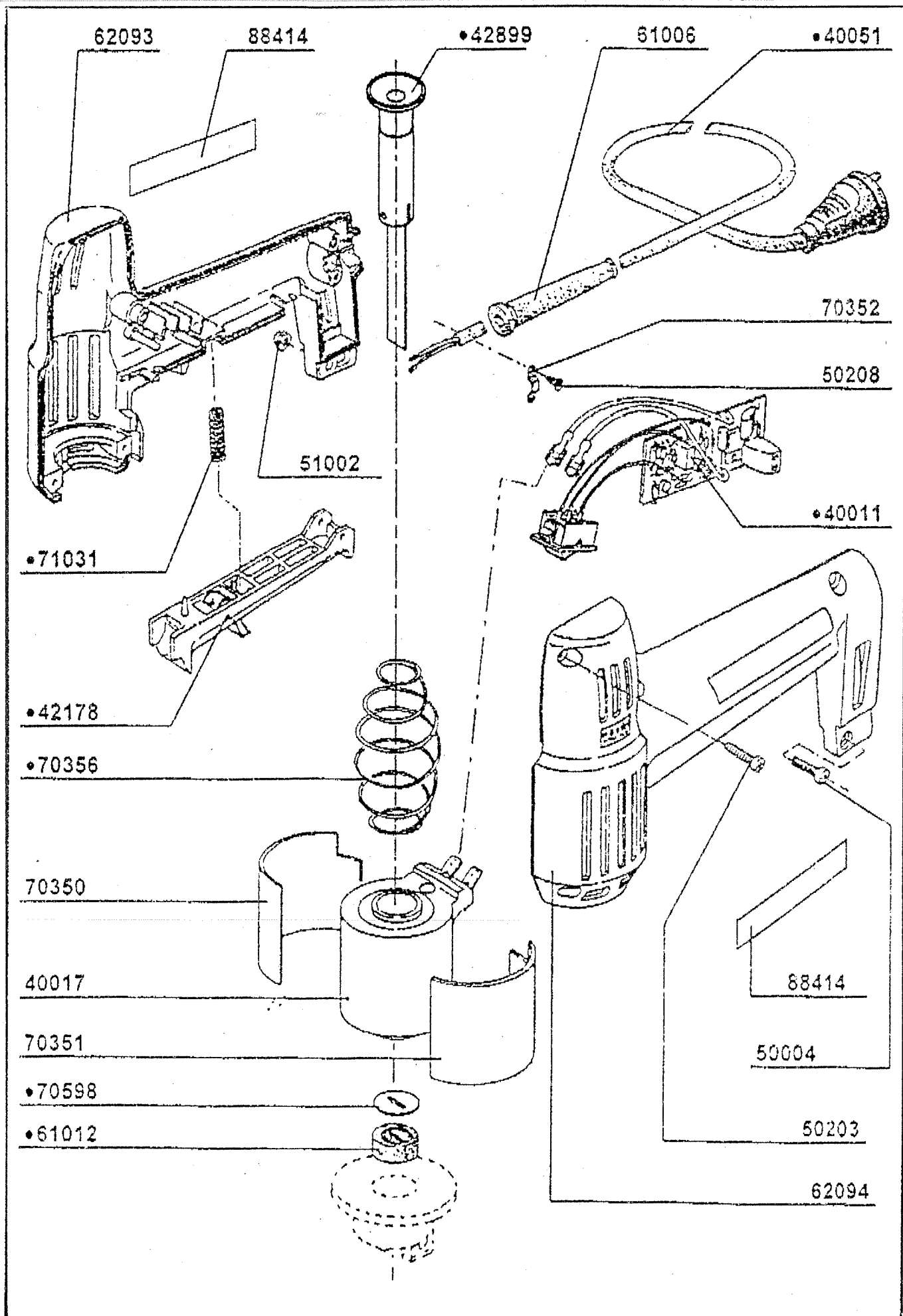
TAURANGA
3/94 Newton Rd
Mt Maunganui
(07) 575 0088
(07) 575 6546

WELLINGTON
350 Jackson St
Petone
(04) 568 7065
(04) 568 7064

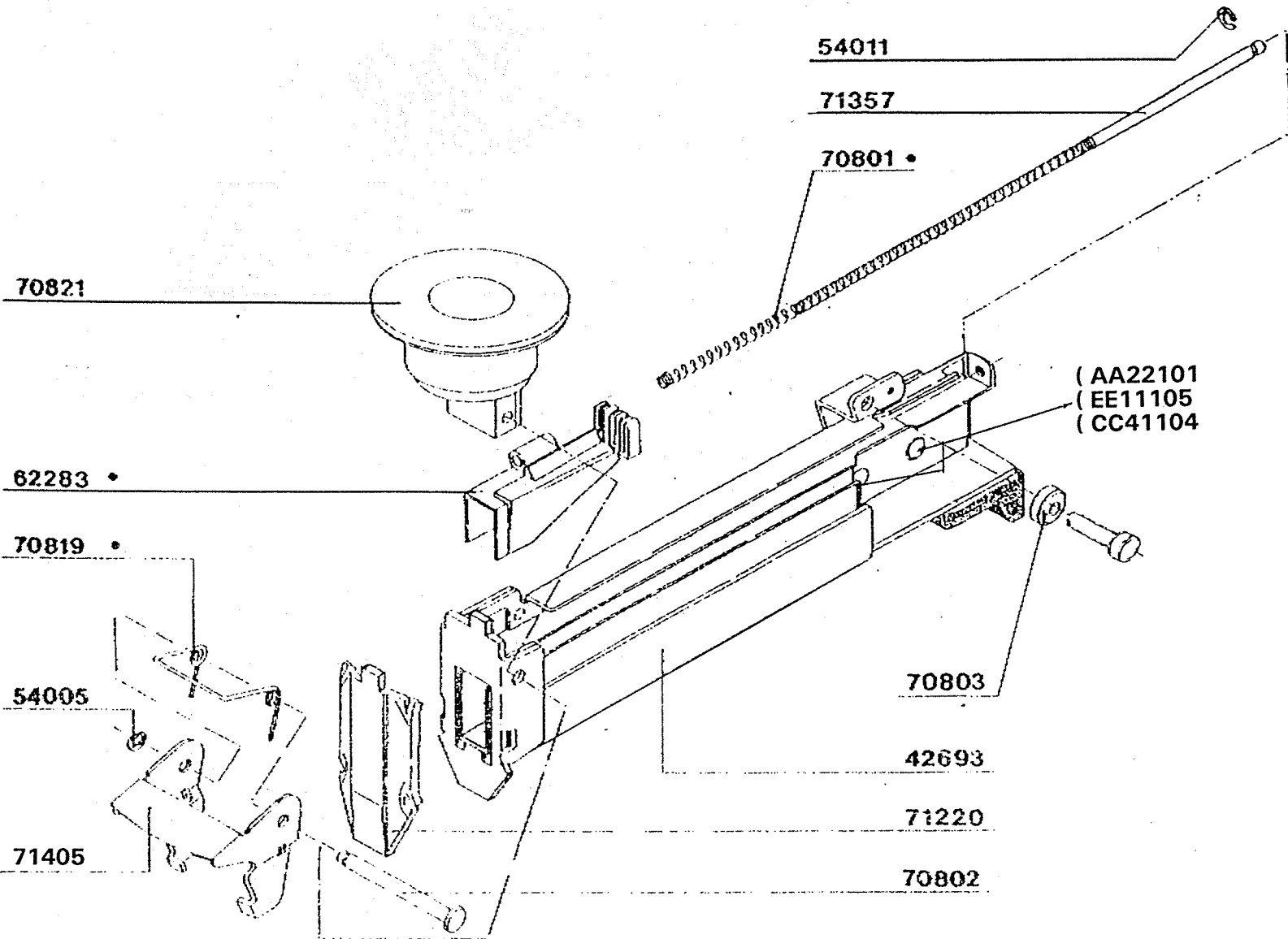
CHRISTCHURCH
8 Holt Place
Burnside
(03) 358 8135
(03) 358 8930

Nationwide Email: sales@sifco.co.nz Website: www.sifco.co.nz

PARTS LIST FOR ME80 ELECTRONIC TACKER



PARTS LIST FOR ME80 ELECTRONIC TACKER



CODE	DESCRIPTION	CODE	DESCRIPTION
40011	CIRCUIT BOARD 240 VOLT	62283	PUSHER
40017	COIL	70350	ARMATURE COVER LEFT
40051	AUSTRALIAN POWER FLEX & PLUG	70351	ARMATURE COVER RIGHT
42178	TRIGGER ASSEMBLY	70352	POWER FLEX RESTRAINT
42693	MAGAZINE ASSEMBLY	70356	PISTON SPRING
42899	DRIVER PISTON	70598	DRIVER PLATE
50004	CASE SCREW	70801	PUSHER SPRING
50203	CASE SCREW	70802	DOOR CLOSURE PIN
50208	POWER FLEX RESTRAINT SCREW	70803	SPACER
51002	BEARING	70819	DOOR CLOSURE SPRING
54005	CIRCLIP	70821	COIL SUPPORTER
54011	ROD CIRCLIP	71031	TRIGGER SPRING
61006	POWER FLEX SHEATH	71220	FRONT PLATE
61012	BUMPER	71357	PUSHER ROD
62093	LEFT CASE	71405	DOOR LATCH
62094	RIGHT CASE	88419	BRAD PLATE