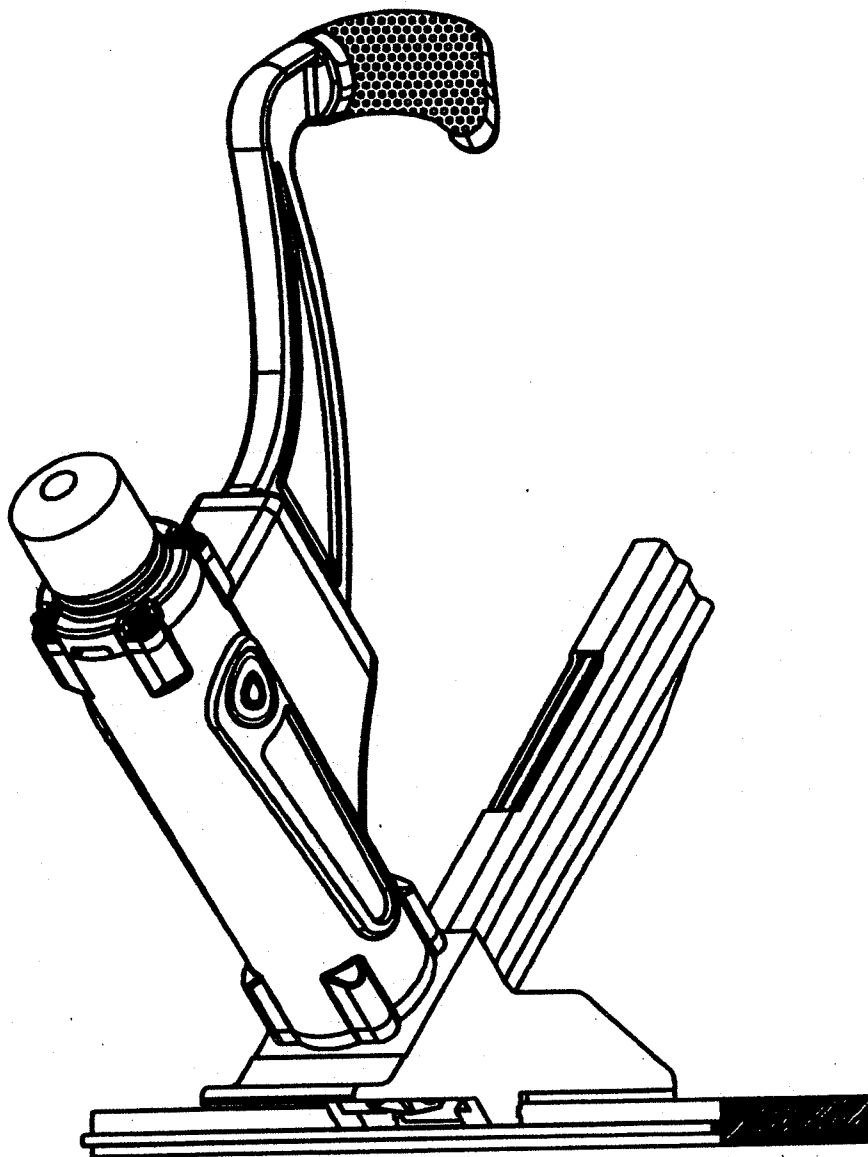


OPERATION and MAINTENANCE MANUAL

- MODEL : PFS-50 FLOORING STAPLER**
- MODEL : PFCN-50 FLOORING NAILER**
- MODEL : PFPN-50 FLOORING NAILER**



WARNING:

BEFORE OPERATING THIS TOOL, ALL OPERATORS SHOULD STUDY MANUAL TO UNDERSTAND AND FOLLOW THE SAFETY WARNINGS AND INSTRUCTIONS. KEEP THESE INSTRUCTIONS WITH THE TOOL FOR FUTURE REFERENCE. IF YOU HAVE QUESTIONS, CONTACT YOUR DISTRIBUTOR.

INTRODUCTION

The FlooringTools is a precision-built tool, designed for high speed, high volume fastening. These tools will deliver efficient, dependable service when used correctly and with care. As with any fine power tool, for best performance the manufacturer's instructions must be followed. Please study this manual before operating the tool and understand the safety warnings and cautions. The instructions on installation, operation and maintenance should be read carefully, and the manual kept for reference. NOTE: Additional safety measures may be required because of your particular application of the tool. Contact your representative or distributor with any questions concerning the tool and its use.

TOOL SPECIFICATIONS

MODEL	LENGTH	HIGHT	WIDTH	WEIGHT
PFS-50	18" (465mm)	18.8" (478mm)	3-1/8"(80mm)	9.00lbs(4.10kgs)
PFCN-50	18" (465mm)	18.8" (478mm)	3-1/8"(80mm)	9.10lbs(4.14kgs)
PFPN-50	18" (465mm)	18.8" (478mm)	3-1/8"(80mm)	9.10lbs(4.14kgs)

FASTENER SPECIFICATIONS:

MODEL	CROW WIDTH	WIRE SIZE	MAX LENGTH
PFS-50	1/2" (13mm)	15-15 1/2 GA	2" (50mm)
PFCN-50			2" (50mm)
PFPN-50			2" (50mm)

TOOL AIR FITTING:

This tool uses a 3/8" N.P.T. male plug. The inside diameter should be .275" (7mm) or larger. The fitting must be capable of discharging tool air pressure when disconnected from the air supply.

OPERATING PRESSURE:

70 to 90 p.s.i.g. (4.9 to 6.3 kg/cm²). Select the operating pressure within this range for best fastener performance.

DO NOT EXCEED THIS RECOMMENDED OPERATING PRESSURE.

AIR CONSUMPTION:

The Tool requires 4.2 cubic feet per minute (221 liters per minute) of free air to operate at the rate of 60 fasteners per minute, at 80 p.s.i. (5.6 kg/cm²). Take the actual rate at which the tool will be run to determine the amount of air required. For instance, if your fastener usage averages 30 fasteners per minute, you need 50% of the tool's c.f.m. of free air which is required to operate the tool at 60 fasteners per minute.

NOISE CHARACTERISTIC VALUES IN ACCORDANCE WITH ENxx1 :

A-weighted single-event sound pressure level at operator's position : $L_{pA,1s} = 95\text{dBA}$
 A-weighted single-event sound power level : $L_{WA,1s} = 102\text{ dBA}$
 A-weighted single-event surface sound pressure level : $L_{pA,1s,1m} = 89\text{dBA}$

VIBRATION CHARACTERISTIC VALUES IN ACCORDANCE WITH ISO 8662; PART 11 :

Weighted root mean square acceleration = 2.7 m/s²

MAINTAINING THE SERIES TOOLS

TO REPLACE DRIVING BLADE:

1. Holding the piston rod with box wrench , and remove the lock nut (17[#])
2. Push out the pin (10[#]) and remove the blade.
3. Install a new blade in the slot and replace the pin.
4. Screw on the retaining lock nut (17[#]), using the same tools, if the lock nut becomes Worn and loose after frequent removals. It should be replaced.
5. Check the fit, there should be some sideways movement between the blade and lock nut Assembly, this is desirable and helps the blade to align itself with mating parts.
6. Reassemble the components, be sure to align the driving blade with the slot in the Adapter Foot assembly.

DRIVING BLADE ASSEMBLY-REMOVAL:

1. Disconnect the air supply.
2. Remove hammer face (1[#]) with box wrench.
3. Unscrew & remove Body cap (4[#]).
4. Unscrew the four cap screws holding the plunger (6[#]) to the poppet (12[#]).
5. Pull the plunger up and out of the Body (19[#]) cavity.
6. Turn the tool over and remove the four cap screws (26[#]), that fasten the Adapter Foot and magazine Assembly to the tool Body and the Assembly off the Body.
7. Remove the Rubber Bumper (23[#])
8. Pull the Driving Blade Assembly out of the Nailer Body.
9. Hold the Piston Rod (9[#]) with box wrench over its hex end and opposite the lock nut (17[#])
Do not use pliers anywhere on the metal parts, they can damage the sealing surfaces.
10. Remove the Lock Nut (17[#]), pin (10[#]) and Driving Blade (14[#]).
11. Unscrew the Piston from the Piston Rod separate the Piston, Piston Rod and Poppet (12[#]).

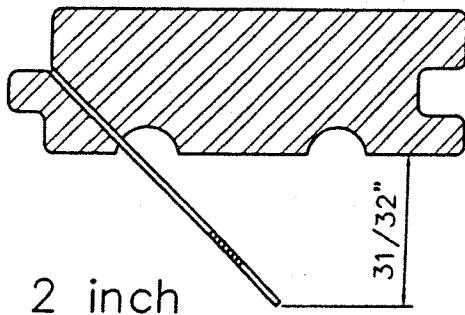
TO REPLACE DRIVER GUIDE PLATE AND NOSE :

1. Separate the magazine from the foot (30[#]) by removing four socket head screws (28[#]).
2. Remove and replace driver guide plate (31[#]) or nose (33[#]).

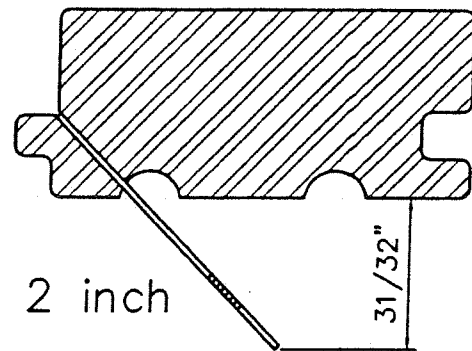
NAILS/STAPLES LENGTH DETERMINATION CHART

This chart will assist you in determining the proper length of NAIL/STAPLE to use for various thicknesses of flooring when the sub-flooring member varies as to species and thickness. Vertical penetration of the NAIL/STAPLE under the hardwood floor is shown for each applications.

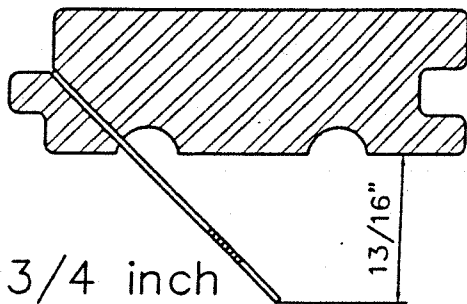
25/32" FLOORING



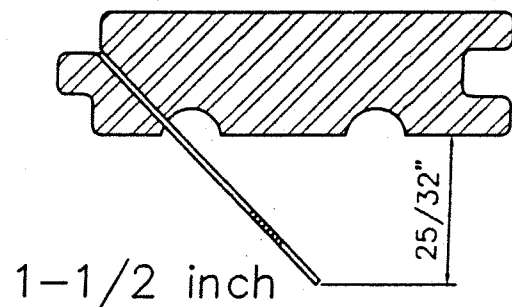
33/32" FLOORING



25/32" FLOORING

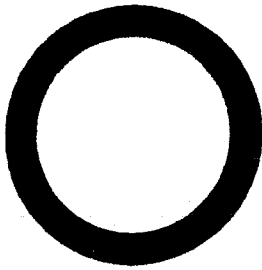


1/2" FLOORING

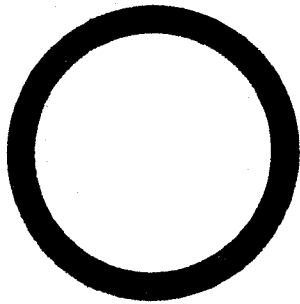


PARTS INCLUDED IN THIS KIT:

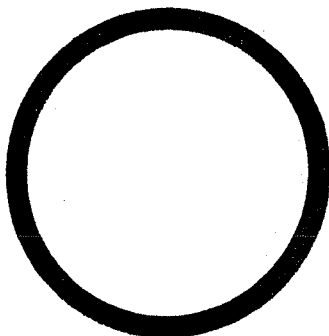
1. BUMPER (F18002302)(FOR 1/2" FLOORING)
2. ADAPTOR PAD (F18002502)(FOR 1/2" FLOORING)
3. OIL BOTTLE (JLUB01)
4. BOX WRENCH (D18006001)
5. HEX WRENCH (JHW0407025)
6. HEX WRENCH (JHW0508028)
7. HEX WRENCH (JHW0609032)
8. 5 PCS O-RINGS
9. GASKET (F18001101)



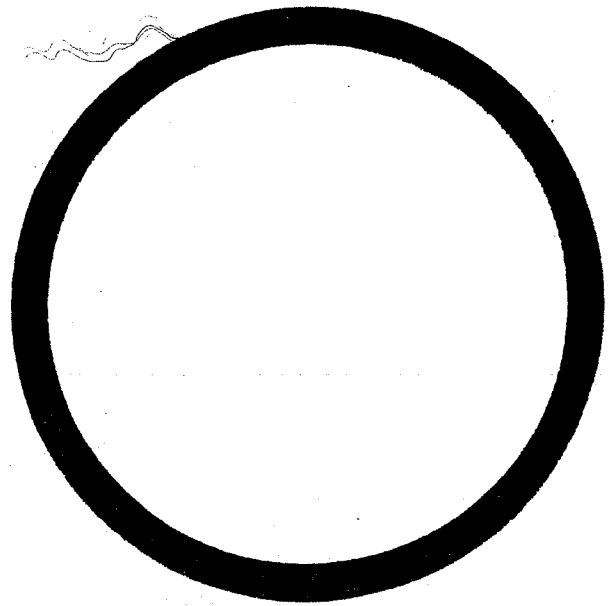
ID1800W300



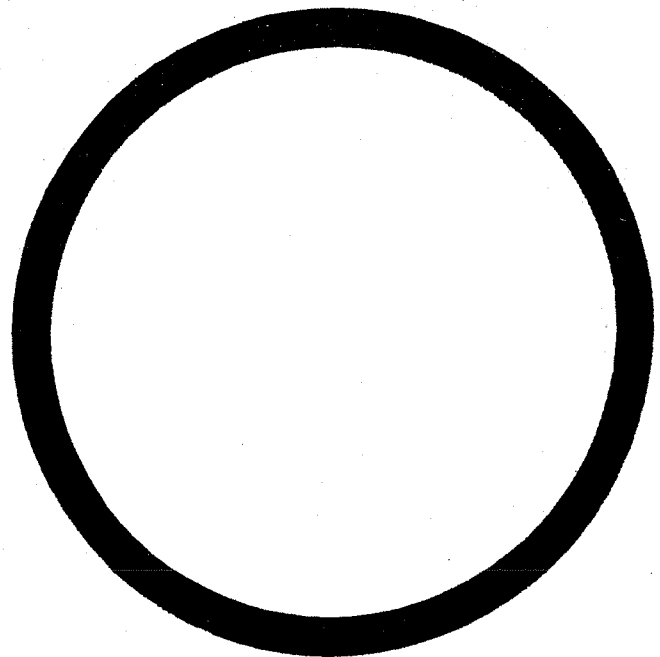
ID2190W262



ID2550W200



ID4770W350



ID5200W360

Installation instructions for flooring tool

1. Remove hammer face with box wrench.
2. Remove four (4) head cap screws. Take off cap. Noting presence of O-ring which remains in cap.
3. Remove four (4) screws with connect plunger to poppet. pull plunger out of cylinder and remove O-ring.
4. Remove O-ring and clean mating surfaces on plunger and poppet.
5. Remove four (4) foot screws thus detaching the foot/magazine assembly and shoe from body.
6. Manually pull rubber bumper out of the body. Visually inspect rubber bumper for wear, deformation and/or cracking. If defective, replace with bumper.
7. Grasp driver with thumb and forefinger and pull out of cylinder body. The piston , poppet and piston rod will follow.
8. Unscrew lock nut from piston rod .Do not deform the soft aluminum part, use Box wrench. Slide piston off piston Rod.
9. Clean all parts with clean dry rag.
10. Install new o-rings with the accompanying drawing. Coat the o-rings, grooves, and cylinder walls evenly with grease and install.
11. Reassemble poppet and piston onto piston rod, blade into the slot and pin into hole, thread lock nut until it is exactly flush with end of piston rod .Reinsert piston rod followed by poppet,piston and driver in body.
12. Reinstall bumper and flush it into the bottom of body.
13. Guide foot/magazine assembly and shoe onto driver up against body. Thread and tighten the four (4) foot screws.
14. Returning to the top portion of the tool, reinstall new Gasket onto plunger. Insert plunger with new o-ring into cylinder using an ice pick shaped instrument to align the four (4) screw holes and onto the threads of the poppet.
15. Using loctite on the threads, insert four (4) new screws with spring washers and tighten.
16. Reinstall new cap.
17. Replace cap with four (4) head cap screws and tighten.
18. Replace hammer face.
19. Check tool operation as explained in Operator's Manual and inspect for leaks.

**SERVICE PARTS:
PISTON ROD ASM.
PART NO. C18000901A**

C18001202

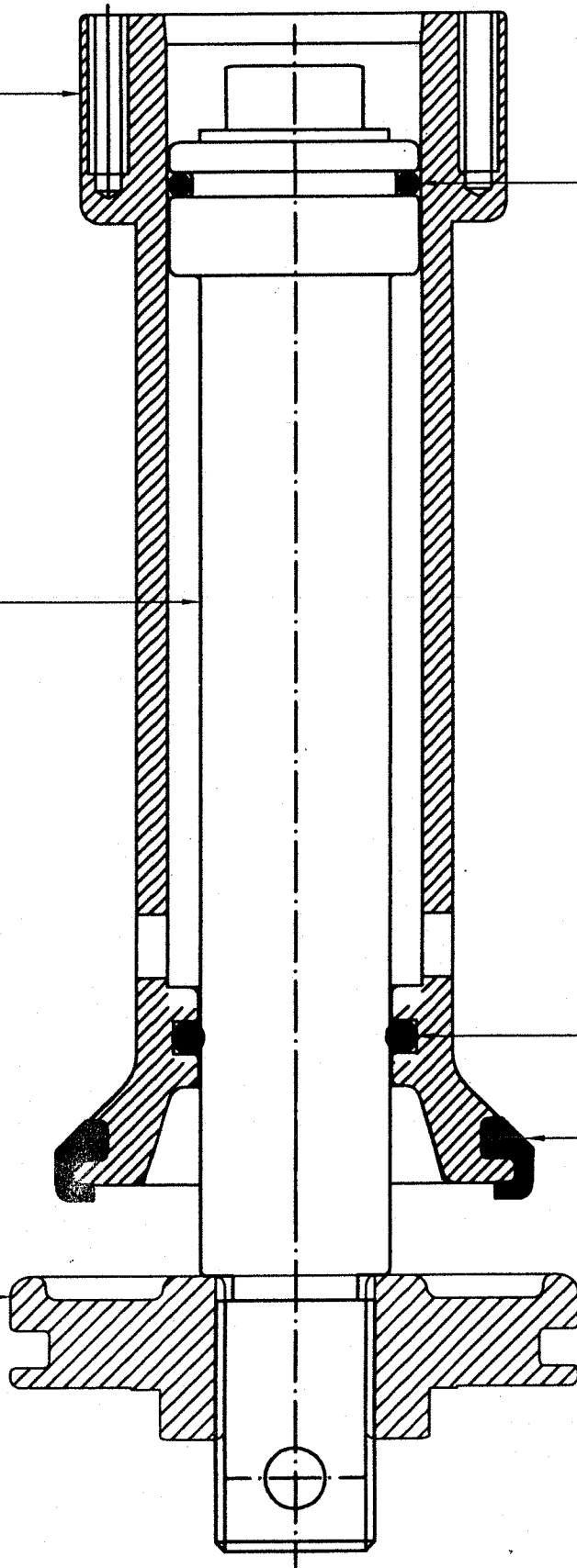
ID2190W262

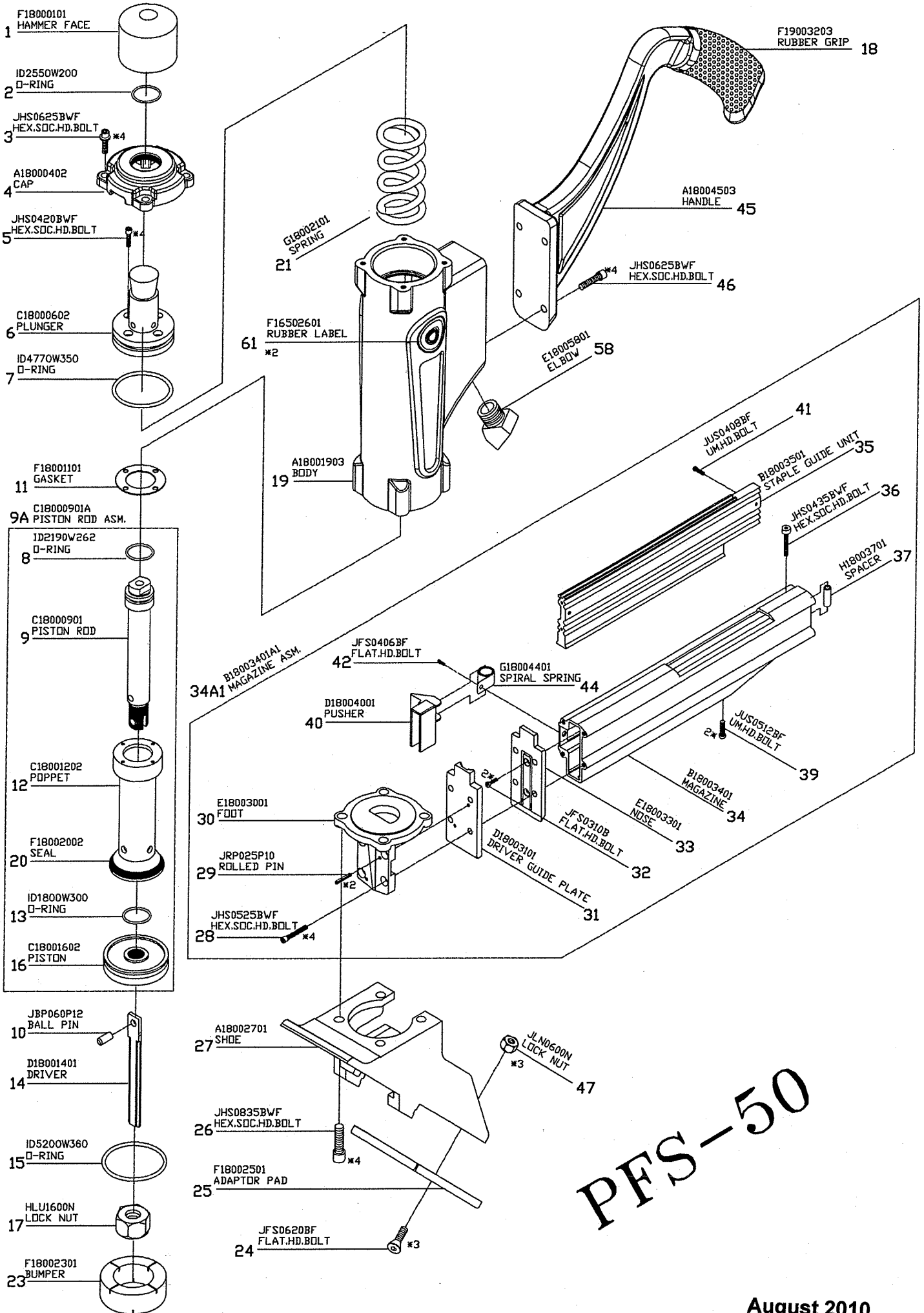
C18000901

ID1800W300

F18002002

C18001602





PFS-50