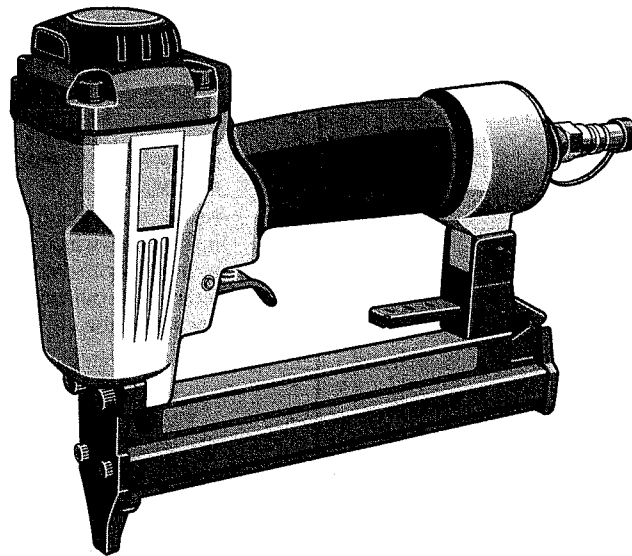


MAX[®]

TA225/1025J

PNEUMATIC STAPLER



OPERATING and MAINTENANCE MANUAL

ENGLISH



WARNING

BEFORE USING THIS TOOL, STUDY THIS MANUAL TO ENSURE SAFETY WARNING AND INSTRUCTIONS.

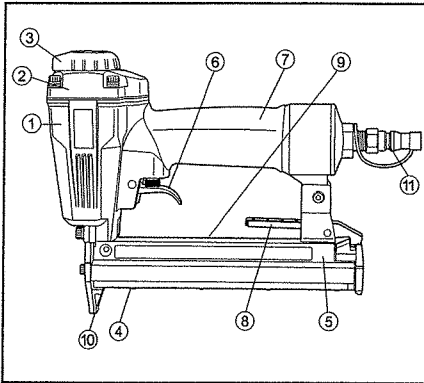
KEEP THESE INSTRUCTIONS WITH THE TOOL FOR FUTURE REFERENCE.

DEFINITIONS OF SIGNAL WORDS

- WARNING:** Indicates a potentially hazardous situation which, if not avoided, could result in death or serious injury.
- CAUTION:** Indicates a potentially hazardous situation which, if not avoided, may result in minor or moderate injury.
- NOTE:** Emphasizes essential information.

2. SPECIFICATIONS AND TECHNICAL DATA

1. NAME OF PARTS



- ① Frame
- ② Cylinder Cap
- ③ Adjustable Exhaust Deflector
- ④ Slider Unit
- ⑤ Magazine
- ⑥ Trigger
- ⑦ Grip
- ⑧ Click Lever
- ⑨ Warning Label (back side)
- ⑩ Outlet
- ⑪ Air Plug

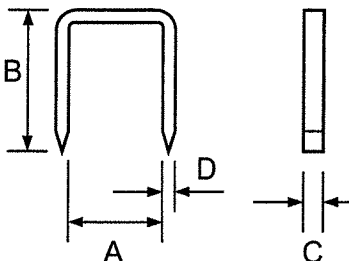
2. TOOL SPECIFICATIONS

PRODUCT NO	TA225/425J	TA225/1025J
HEIGHT	185mm	185mm
WIDTH	59mm	59mm
LENGTH	247mm	247mm
WEIGHT	1.2kg	1.2kg
RECOMMENDED OPERATING PRESSURE	5 to 7bar	5 to 7bar
LOADING CAPACITY	100 Staples	100 Staples
AIR CONSUMPTION	0.56 l at 7bar operating pressure	0.53 l at 7bar operating pressure

* The machine has been compactly designed in order to improve operating weight balance.

3. FASTENER SPECIFICATIONS

PRODUCT NO	TA225/425J	TA225/1025J
A	4mm	10mm
B	10 to 25mm	10 to 25mm
C	1.15mm	1.15mm
D	0.565mm	0.565mm



TOOL AIR FITTINGS:

This tool uses a 1/4" P.T. male plug. The inside diameter should be 7mm (.28") or larger. The fitting must be capable of discharging tool air pressure when disconnected from the air supply.

RECOMMENDED OPERATING PRESSURE:

5 to 7 bar (70 to 100 p.s.i.). Select the operating air pressure within this range for best fastener performance.
DO NOT EXCEED 8.3 bar (120 p.s.i.).

4. TECHNICAL DATA

NOISE

A-weighted single-event sound power level

TA225/425J ----- LWA, 1S, d 88.9dB

TA225/1025J ----- LWA, 1S, d 89.6dB

A-weighted single-event emission sound pressure level at work station

TA225/425J ----- LpA, 1S, d 79.7dB

TA225/1025J ----- LpA, 1S, d 82.2dB

These values are determined and documented in accordance to EN12549 : 1999.

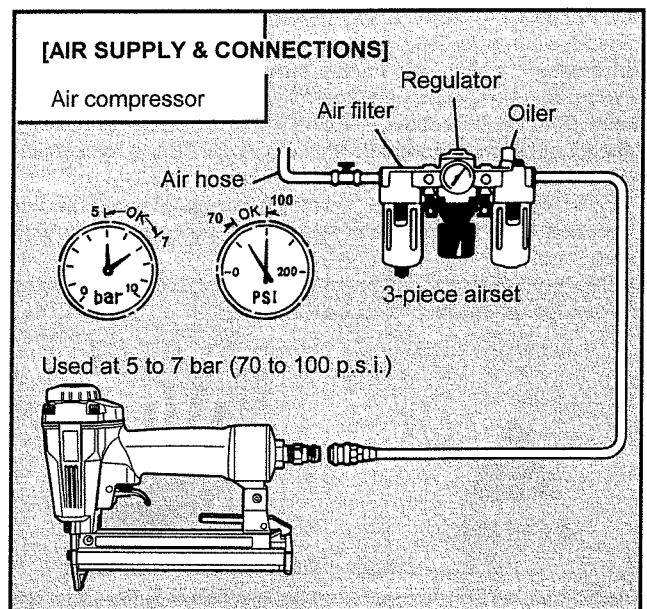
5. APPLICATIONS

- * Upholstering chair, sofa, and other furnitures
- * Furniture manufacturing
- * Fastening Plywoods
- * Interior decoration

3. AIR SUPPLY AND CONNECTIONS



WARNING



FITTINGS: Install a male plug on the tool which is free flowing and which will release air pressure from the tool when disconnected from the supply source.

HOSES: Hose has a min. ID of 6 mm (1/4") and max. length of no more than 5 meters (17").

The supply hose should contain a fitting that will provide "quick disconnecting" from the male plug on the tool.

SUPPLY SOURCE: Use only clean regulated compressed air as a power source for the tool.

3-PIECE AIRSET (Air filter, Regulator, Oiler):

Refer to TOOL SPECIFICATIONS for setting the correct operating pressure for the tool.

NOTE:

A filter will help to get the best performance and minimum wear from the tool because dirt and water in the air supply are major causes of wear in the tool.

Frequent, but not excessive, lubrication is required for the best performance. Oil added thru the air line connection will lubricate the internal parts.

4. INSTRUCTIONS FOR OPERATION

Read section titled "SAFETY INSTRUCTIONS".

1. BEFORE OPERATION

Check the following prior operation.

- ① Wear Safety Glasses or Goggles.
- ② Do not connect the air supply.
- ③ Inspect screw tightness.
- ④ Check operation of the trigger if moving smoothly.
- ⑤ Connect the air supply.
- ⑥ Check the air-leakage. (The Tool must not have the air-leakage.)
- ⑦ Disconnect the air supply.



WARNING



2. OPERATION

Wear safety glasses or goggles. Danger to the eyes always exists due to the possibility of dust being blown up by the exhausted air or of a fastener flying up due to the improper handling of the tool. For these reasons, safety glasses or goggles shall always be worn when operating the tool.

The employer and/or user must ensure that proper eye protection is worn. Eye protection equipment must conform to the requirements of Council Directive 89/686/EEC of 21 DEC. 1989 (the American National Standards Institute, ANSI Z87.1) and provide both frontal and side protection.

The employer is responsible to enforce the use of eye protection equipment by the tool operator and all other personnel in the work area.

NOTE: Non-side shielded spectacles and face shields alone do not provide adequate protection.

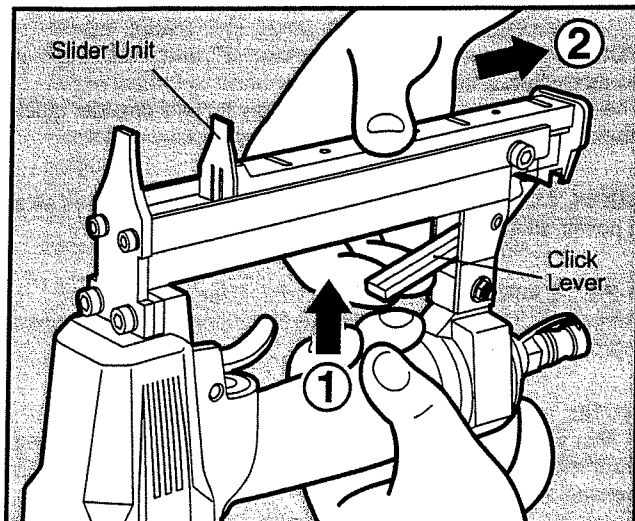


WARNING

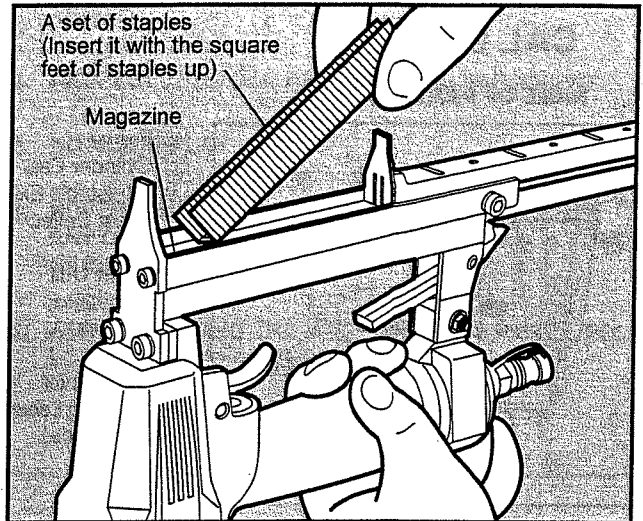


Keep hands and body away from the discharge outlet when driving the fasteners because of dangerous of hitting the hands or body by mistake.

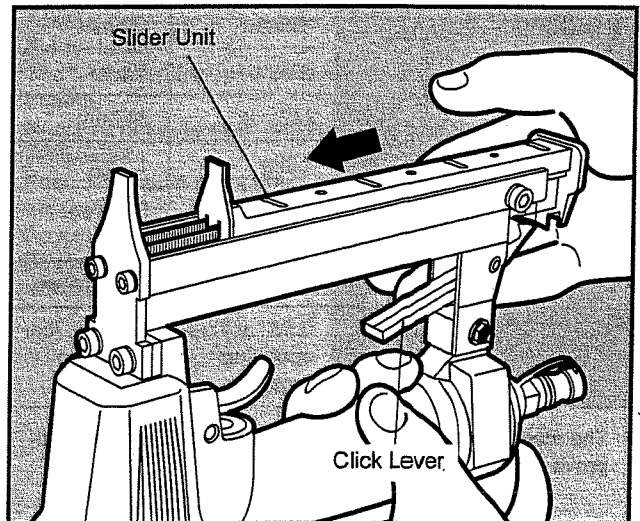
STAPLE LOADING



- ① Remove the click lever.
- ② Pull out the slider unit.



- ③ Insert a set of staples into the magazine with the square feet of staples up.



- ④ Press the slider unit to set the click lever securely.

TEST OPERATION

- 1 Adjust the air pressure at 5 bar (70 p.s.i.) and connect the air supply.
- 2 Without touching the trigger, depress the staple discharge outlet against the work-piece. Pull the trigger. (The tool must fire the fastener.)
- 3 Adjust the air pressure as much as the lowest possible according to the length of fastener and the hardness of work-piece.

AIR HOSE CONNECTION

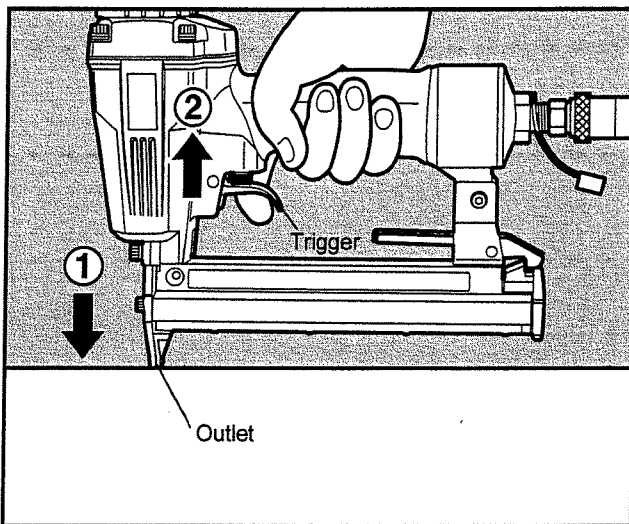
Connect the air chuck to the air plug.



WARNING

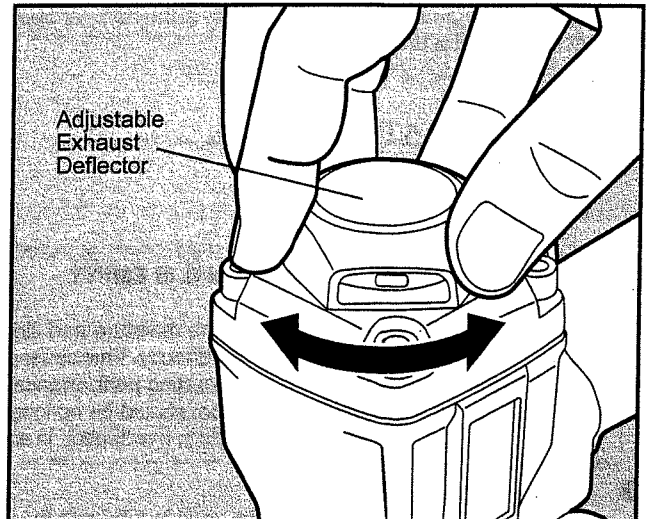
When connecting the air chuck, do not point the staple discharge outlet at any part of your body or at another person, and do not touch the trigger.

DRIVING FASTENERS



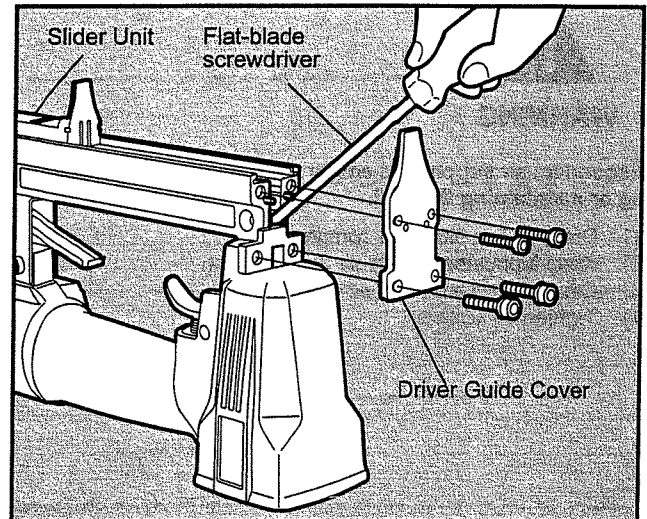
- 1 Depress the staple discharge outlet against a place where you want to drive a staple.
- 2 Pull the trigger.

CHANGING DIRECTION OF AIR DISCHARGE HOLE



Turn the adjustable exhaust deflector on the cylinder cap by hand to change the air discharge direction.

CLEARING JAMMED STAPLES



- 1 Disconnect the air hose.
- 2 Remove the set of staples from the magazine.
- 3 Take out the 4 hexagon socket head cap screws from the magazine and remove the driver guide cover.
- 4 Clear the staples jammed inside the nose using a thin iron bar or a flat-blade screwdriver.
- 5 Reinstall the driver guide cover, reinsert the set of staples and bring back the slider unit.

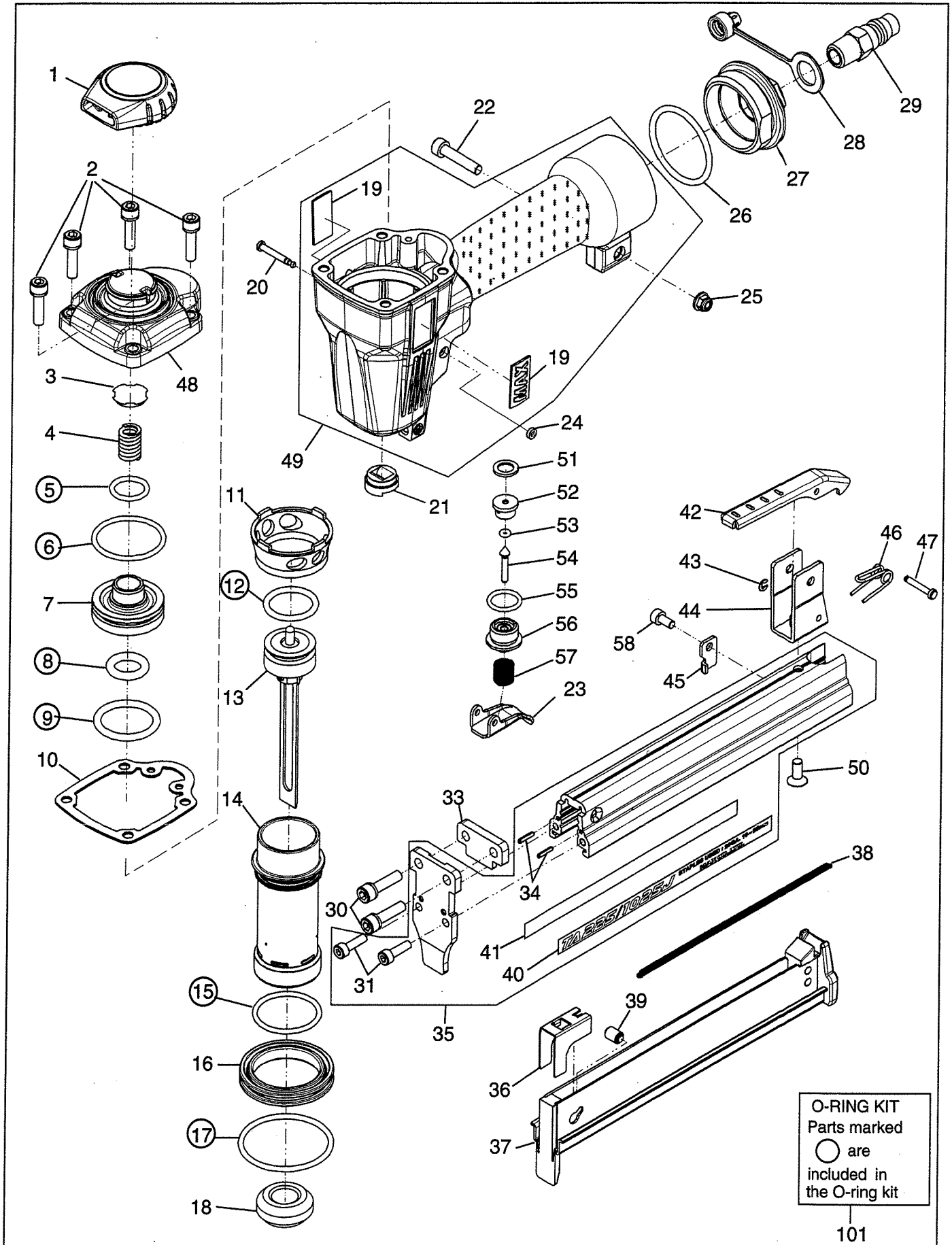


WARNING

ALWAYS disconnect air supply before clearing jammed fastener.

TA225/1025J

EXPLODED VIEW AND SPARE PARTS LIST



ITEM NO.	PART NO.	MATERIAL	ENGLISH
1	TA19025	Polyurethan	EXHAUST COVER
2	TA19016	Steel	HEX. SOC. HD. CAP SCREW
3	TA19018	Polyurethan	EXHAUST SEAL
4	TA19019	Steel	COMPRESSION SPRING 9019
5	TA19020	Rubber	O-RING 9020
6	TA19021	Rubber	O-RING 9021
7	TA19022	Polyacetal	HEAD VALVE
8	TA18909	Rubber	O-RING 8909
9	TA19023	Rubber	O-RING 9023
10	TA19024	non-asbestos	CYLINDER CAP SEAL
11	TA19026	Polyacetal	CYLINDER WASHER
12	TA19027	Rubber	O-RING 9027
13	TA70331	Aluminum,Steel	MAIN PISTON UNIT
14	TA19032	Aluminum	CYLINDER
15	TA19033	Rubber	O-RING 9033
16	TA19034	Polyacetal	CYLINDER RING
17	TA19035	Rubber	O-RING 9035
18	TA19036	Rubber	BUMPER
19	TA18930	ABS	NAME PLATE
20	TA19046	Steel	STEP PIN 9046
21	TA19088	Polyurethan	NOZZLE
22	TA19069	Steel	HEX. SOC. HD. CAP SCREW
23	TA19045	Steel	TRIGGER
24	TA18927	Rubber	RUBBER WASHER
25	TA19070	Steel	ELASTIC STOP NUT
26	TA19048	Rubber	O-RING 9048
27	TA19049	Aluminum	END CAP
28	TA19050	Steel	DUST COVER
29	TA19051	Steel	AIR PLUG
30	TA19052	Steel	HEX. SOC. HD. CAP SCREW ASSY
31	TA19055	Steel	HEX. SOC. HD. CAP SCREW
32			
33	TA19090	Steel	WARE PLATE
34	TA19057	Steel	SPRING PIN
35	TA81259	Aluminum,Steel	MAGAZINE ASSY (AFTER)
36	TA19092	Steel	PUSHER
37	TA19094	Steel	SLIDER UNIT
38	TA19093	Steel	PULL SPRING
39	TA19097	Steel	ROLLER
40	TA19098	Polyethylene terephthalate	NAME LABEL
41	TA19072	Polyethylene terephthalate	WARNING LABEL
42	TA19068	Steel	CLICK LEVER
43	TA18953	Steel	E-RING
44	TA19066	Steel	TAIL HANGER
45	TA19095	Steel	PUSHER STOPPER
46	TA19067	Steel	TORSION SPRING
47	TA19065	Steel	STEP PIN 9065
48	TA19017	Aluminum	CYLINDER CAP
49	TA70332	Aluminum,Rubber	FRAME UNIT
50	TA19064	Steel	COUNTERSUNK HD. SCREW
51	TA19038	Polyurethan	SEAL
52	TA19039	Polyacetal	TRIGGER VALVE HEAD
53	TA19040	Rubber	O-RING 9040
54	TA19041	Steel	TRIGGER VALVE STEM
55	TA19042	Rubber	O-RING 9042
56	TA19043	Steel	TRIGGER VALVE GUIDE
57	TA19044	Steel	SPRING
58	TA19096	Steel	HEX. SOC. HD. CAP SCREW ASSY
101	TA81249		O-RING KIT

Sole NZ Distributor:
SIFCO
fastening solutions

Auckland

34 Lansford Cres
Avondale
Ph 09 828 2019
Fax 09 828 2017

Tauranga

134 Newton Rd
Mt Maunganui
Ph 07 575 0088
Fax 07 575 6546

Wellington

Ph 09 828 2019
Fax 09 828 2017

Christchurch

8 Holt Place
Burnside
Ph 03 358 8135
Fax 03 358 8930

Nationwide Email: sales@sifco.co.nz

Website: www.sifco.co.nz