

# SIFCO®

## MODEL: TYI1832



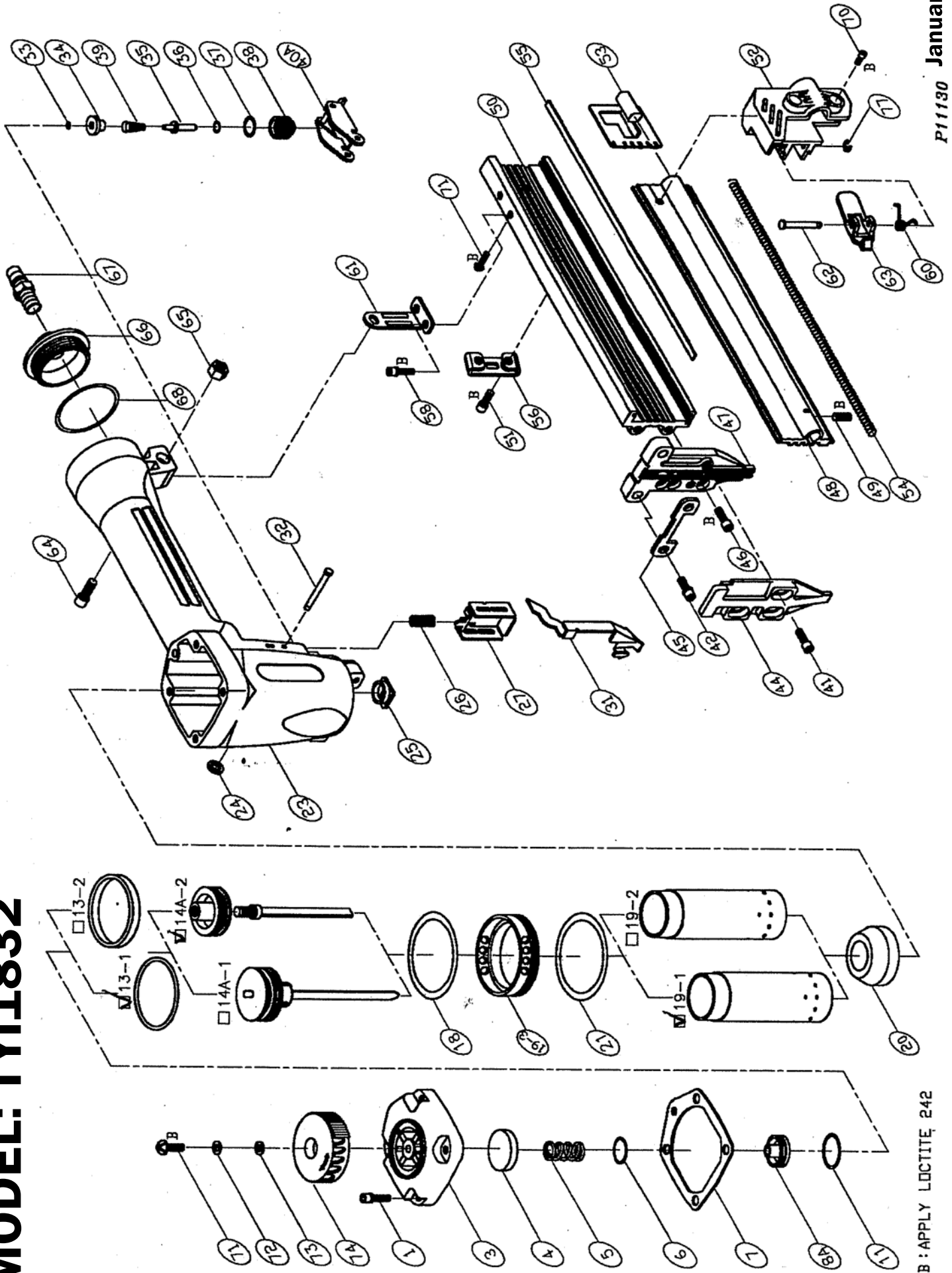
January 2013

**Parts List - TY11832**

**\*when ordering spare parts please state item No, Part No & description**

ITEM	PART NO	DESCRIPTION	QTY	ITEM	PART NO	DESCRIPTION	QTY	ITEM	PART NO	DESCRIPTION	QTY
01	HS050808-16	HEX.SOC.HD.BOLT+SW	4	42	HS050808-20	HEX.SOC.HD.BOLT+SW	2				
03	11100302	CAP	1	44	12104404	DRIVER GUIDE COVER	1				
04	12100401	SEAL**	1	45	12104501	SET PLATE	1				
05	12100501	SPRING**	1	46	HS040708-12	HEX.SOC.HD.BOLT	2				
06	0813824N	O RING**	1	47	12104701	DRIVER GUIDE	1				
07	11100701	CAP SEAL**	1	48	11004802	MAGAZINE COVER	1				
08A	12100801A	HEAD VALVE ASH.	1	49	SS040708-12	SET SCREW	1				
11	0831824N	O RING**	1	50	11105002	MAGAZINE	1				
13-1	0822431N	O RING**	1	51	HS040708-08	HEX.SOC.HD.BOLT	2				
13-2	11001303	PISTON RING	1	52	11105202	END CORE	1				
14A-1	11001401A	DRIVER ASSEMBLY**	1	53	12105301	PUSHER	1				
14A-2	11001402A	DRIVER ASSEMBLY**	1	54	12105401	SPRING**	1				
18	0844431N	O RING**	1	55	12105501	MAIL GUIDE LINER	1				
19-1	11101902	CYLINDER	1	56	15108601	SET PLATE	1				
19-2	11101902C	CYLINDER	1	58	HS040708-08	HEX.SOC.HD.BOLT+SW	2				
19-3	11101903	COLLAR	1	60	32906001	SPRING	1				
20	11002001	BUMPER**	1	61	11108102	BRACKET	1				
21	0830018N	O RING**	1	62	13908401	STEPPED PIN	1				
23	11102307	BODY	1	63	13908102	STOPPER	1				
24	0801918N	O RING**	2	64	HS050808-16	HEX.SOC.HD.BOLT	1				
25	10902501	JOINT GUIDE	1	65	LND500N	LOCK NUT	1				
26	11002601	SPRING	1	66	11106601	COVER	1				
27	11002702	GUIDE SAFETY LEVER	1	67	12106401	AIR PLUG	1				
31	11003101	SAFETY LEVER	1	68	0840030N	O RING**	1				
32	11103201	STEPPED PIN	2	70	HS040708-08	HEX.SOC.HD.BOLT	2				
33	0802519N	O RING	1	71	US050808-06	UM.HD.BOLT	2				
34	11003401	TRIGGER VALVE HEAD	1	72	FR0501208-08	FLAT WASHER	1				
35	11003503	TRIGGER VALVE STEM	1	73	12103301	SEAL	1				
36	0802515V	O RING**	1	74	13907403	EXHAUST COVER	1				
37	0810719N	O RING**	1	77	ER0250R	E RING	1				
38	11003803	TRIGGER VALVE GUIDE	1								
39	11006901	SPRING	1								
40A	15104501A	TRIGGER ASSEMBLY	1								
41	HS050808-10	HEX.SOC.HD.BOLT	3								

# MODEL: TY11832



\*B : APPLY LOCTITE 242