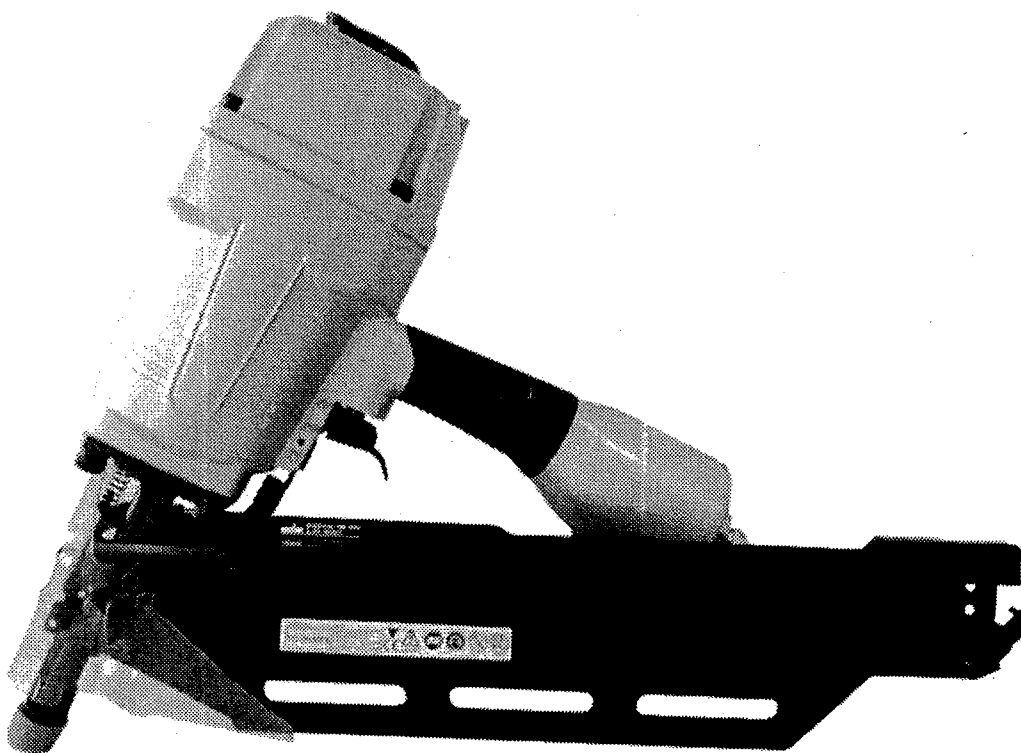


TYI-28100FN

PNEUMATIC FRAMING NAILER



OPERATION AND MAINTENANCE MANUAL

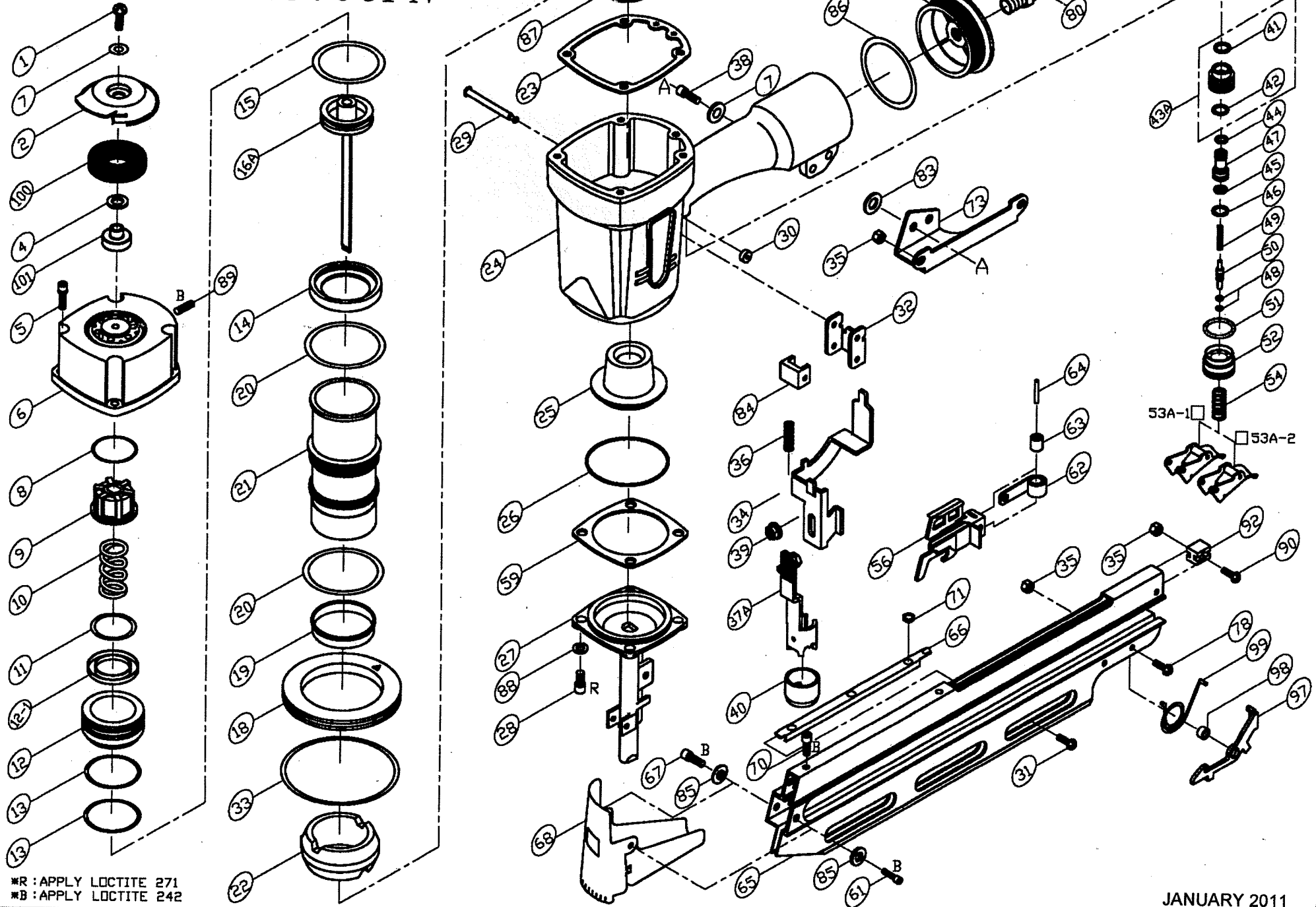


WARNING

BEFORE USING THIS TOOL, BE SURE TO STUDY THIS MANUAL CAREFULLY TO UNDERSTAND AND FOLLOW THE SAFETY PRECAUTIONS AND INSTRUCTIONS. KEEP THE MANUAL WITH THE TOOL FOR FUTURE REFERENCE. CONTACT YOUR AUTHORIZED DEALER, DISTRIBUTOR OR REPRESENTATIVE FOR FURTHER INFORMATION.

JANUARY 2011

MODEL: TYI-28100FN



*R: APPLY LOCTITE 271
*B: APPLY LOCTITE 242

PARTS LIST (TYI-28100FN)

*WHEN ORDERING SPARE PARTS, PLEASE STATE ITEM No., PART NO. AND DESCRIPTION.

ITEM	PART NO	DESCRIPTION	QTY	ITEM	PART NO	DESCRIPTION	QTY	ITEM	PART NO	DESCRIPTION	QTY
001	US06100L-20	UM. HD. BOLT	1	036	16203601	SPRING	1	080	12106401	AIR PLUG	1
002	15100202	EXHAUST COVER	1	037A	31403701A	SAFETY LEVER	1	083	GW0800W	GASKET WASHER	2
004	15108501	PU RING	1	038	HS06100BW-16	HEX. SOC. HD. BOLT+SW	2	084	28203301	SAFETY GUIDE	1
005	HS06100LW-30	HEX. SOC. HD. BOLT+SW	4	039	LNO600NB	LOCK NUT	1	085	16108501	SPACER	2
006	32600601	CAP	1	040	16104001	RUBBER PAD	1	086	OR54431N	O RING**	1
007	FW060130B-10	FLAT WASHER	3	041	OR14018N	O-RING	1	087	16208701	WASHER	1
008	16100801	SPACER	1	042	OR17515N	O RING**	1	088	SW0800W	SPRING WASHER	4
009	16100901	PISTON STOPPER**	1	043A	15103701A	VALVE ASM.	1	089	SS06100B-06	SET SCREW	1
010	15101001	SPRING**	1	044	OR05819N	O RING**	1	090	US05080B-20	UM. HD. BOLT	1
011	OR47326N	O RING	1	045	OR06020N	O RING**	1	091	23302501	END CAP	1
012	32601201	PISTON HEAD VALVE	1	046	OR08819N	O RING**	1	092	16109201	MAGAZINE BLOCK	1
012-1	15100401	SPACER	2	047	15104101	VALVE PLUNGER	1	097	30809701	RELEASER	1
013	OR60030N	O RING**	2	048	OR02515V	O RING**	2	098	16109801	ROLLER	1
014	32601401	CYLINDER SEAL	1	049	15108301	SPRING	1	099	16109901	SPRING	1
015	OR49735N	O RING**	1	050	15104201	PLUNGER	1	100	27610001	MUFFLER	1
016A	28201701A	PISTON ASSEMBLY**	1	051	OR19824N	O RING**	1	101	25310001	SLEEVE	1
018	25501801	CYLINDER RING	1	052	15104401	PLUNGER CAP	1				
019	16101901	CYLINDER RING	1	053A-1	25205301A	SEQUENTIAL FIRE TRIGGER	1				
020	OR60026N	O RING**	2	053A-2	25205302A	BUMP FIRE TRIGGER	1				
021	32602101	CYLINDER	1	054	16305401	SPRING	1				
022	16102201	BUMPER UPPER**	1	056	16205601	PUSHER	1				
023	32602301	CYLINDER CAP SEAL	1	059	16105901	GASKET**	1				
024	25502401	BODY	1	061	HS06100B-12	HEX. SOC. HD. BOLT	1				
025	23304901	BUMPER"B"	1	062	16106201	SPIRAL SPRING**	1				
026	OR56718N	O RING**	1	063	16106301	ROLLER	1				
027	31402701	NOSE	1	064	BPO424P	BALL PIN	1				
028	HS08125N-28	HEX. SOC. HD. BOLT	4	065	31406501	MAGAZINE	1				
029	16102902	STEPPED PIN	3	066	16206601	NAIL GUIDE LINER	1				
030	16103001	PU RING	3	067	HS06100B-18	HEX. SOC. HD. BOLT	1				
031	US05080B-12	UM. HD. BOLT	2	068	16106802	DEBRIS SHIELD	1				
032	25203201	GUIDE SAFETY LEVER	1	070	HS03050B-04	HEX. SOC. HD. BOLT	1				
033	OR84431N	O RING**	1	071	16107101	INSERT	2				
034	28203401	UPPER SAFETY LEVER	1	073	26407301	BRACKET	1				
035	LNO500NB	LOCK NUT	5	078	US05080B-16	UM. HD. BOLT	1				