



DELUXE STITCHER

COMPANY INC.

solving your wire stitching needs for 125 years...

Head Serial Number : _____

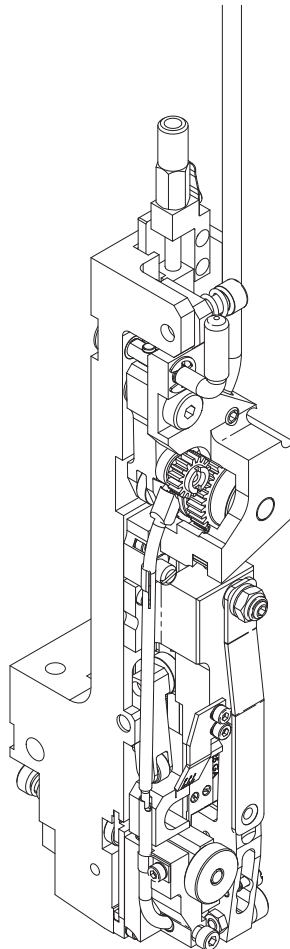
Date Purchased : _____

Where Installed: _____
(make/model of machine)

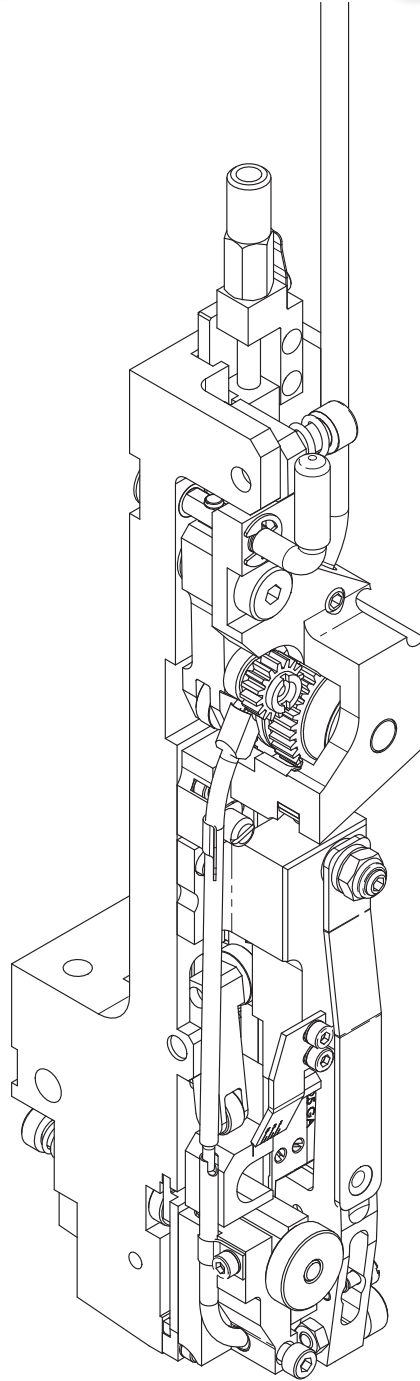
G5 Stitcher Head

OPERATION AND MAINTENANCE MANUAL

Wire Size: 25 Ga. Round (0.52 mm)
Crown Sizes: 1/2" (12 mm) and 13/64" (5 mm) Loop
Capacity: 2 sheets to 13/64" (5 mm)



*Thank you for choosing the
G5 STITCHER HEAD
for your binding needs.*



Before using this Stitcher Head, all operators must study this manual and follow the safety warnings and instructions.

Keep these instructions with the G5 Stitcher Head for future reference.

If you have any questions, contact your local DeLuxe Stitcher Company Graphic Arts Representative or Distributor.

WARNING!

G5 Stitcher Heads

Machine operators and others in the work area should always wear safety glasses to prevent serious eye injury from fasteners and flying debris when loading, operating, or unloading the stitcher machine.

Do not operate this stitcher head without all stitcher machine guards in place. Do not modify the guards in any way. Always disconnect the power supply before removing any guards for servicing.

Never operate the machine with wire feeding through the head unless there is stock above the clinchers, otherwise serious damage may result.

Always turn power off when making adjustments. Always disconnect the power cord before any disassembly work.

EYEWEAR



REQUIRED

Table of Contents

Safety Warning	4
Specifications	6
Installation	8
Pre-Inspection	8
Inspection	8
Mounting	9
Assembly	10
Operation	11
Wire Threading	11
Wire Straightening	12
Aligning the Wire Holder	13
Aligning the Clincher Plate	15
Adjusting the Wire Length (Draw)	16
Adjusting the Length of the Stitch Leg	16
Maintenance	17
Lubrication	17
Ordering Spare Parts	19
Troubleshooting	20
Formed Staple Chart	21-22
Appendices	23
Assembly Drawings with Part Number/Description Cross Reference/Qty	23-35
Parts Index	36-37
Warranty Information	38
Registration Card	39

Specifications

Weight

Shipping Weight 7.0 lbs... (3.2 kg)

Physical Dimensions

Height 12" Max." (30.5 cm)

Width 2" (5.1 cm)

Stitching Capacity Two Sheets to 5 mm. (3/16")

Wire Type 25 round (0.52 mm max)

..... 21x25 flat

Crown Sizes 1/2" (12 mm.), 13/64" (5 mm.) Loop

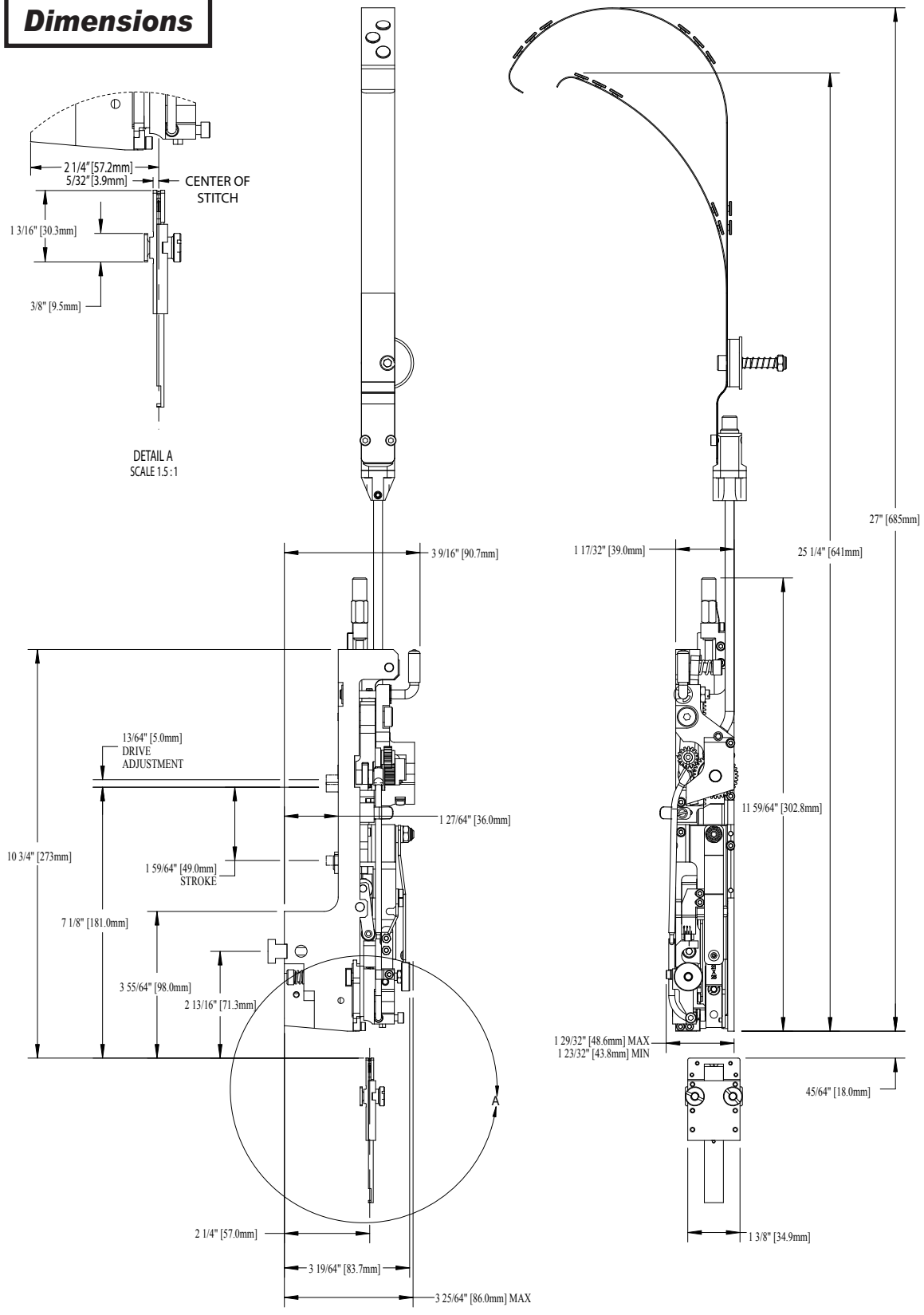
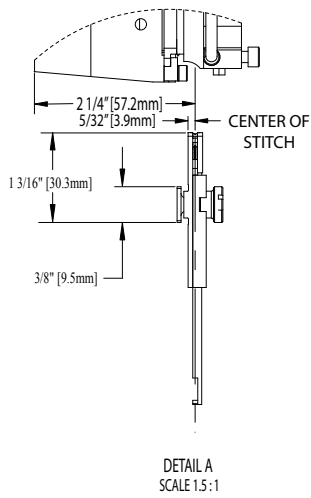
Minimum Head Center

..... 1-1/2" (39 mm.)

Stitches Per Hour 10,000

Replacement for: DeLuxe Stitcher 26/26D heads as well
as Hohner 43/6, 48/5, 52/8 and 55/7 heads
and Acme, Champion, Interlake, ISP and
Magnatek heads

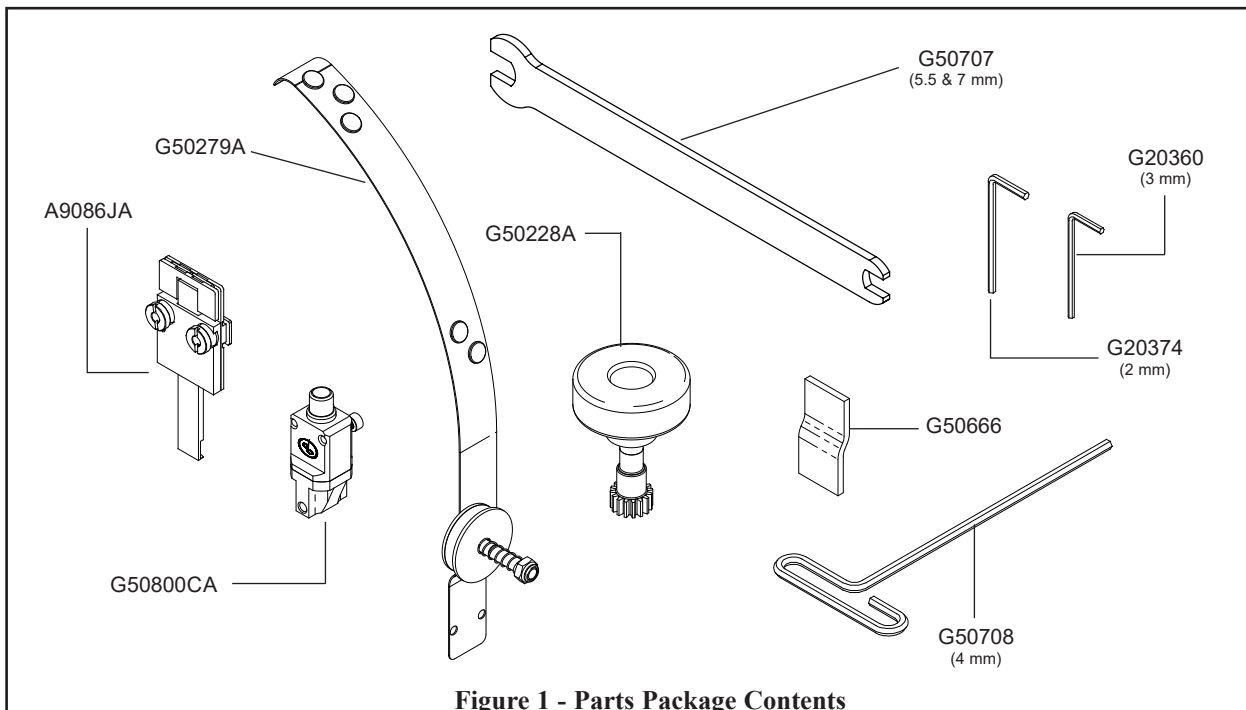
Dimensions



Installation

Contents

- G5 Manual
- Bag of tools; 2.0 mm., 3.0 mm. and Open End Wrench (7 mm.)
- T-Handle Hex Head Wrench; 4 mm.
- Head Mounting Accessories
 - Front Mount: Clamp Block (G50101), Screw M5x0.8x25 (G50126)
 - Bolt Mount: Head Mounting Bolt, M8 (G50367), Mounting Block - Keyed (G50102), Bonnet Clamp Pin (G50366), Mounting Block Handle (G50716) and Flat Washer M8 (G50394)
- Clincher Plate, Points, Slide, Nuts and Studs
- Clincher Alignment Gauge
- Wire Guide Spring and Wire Anti-Backup Unit
- Manual Feed Gear Tool
- Stitch Samples



Mounting (Figure 2)

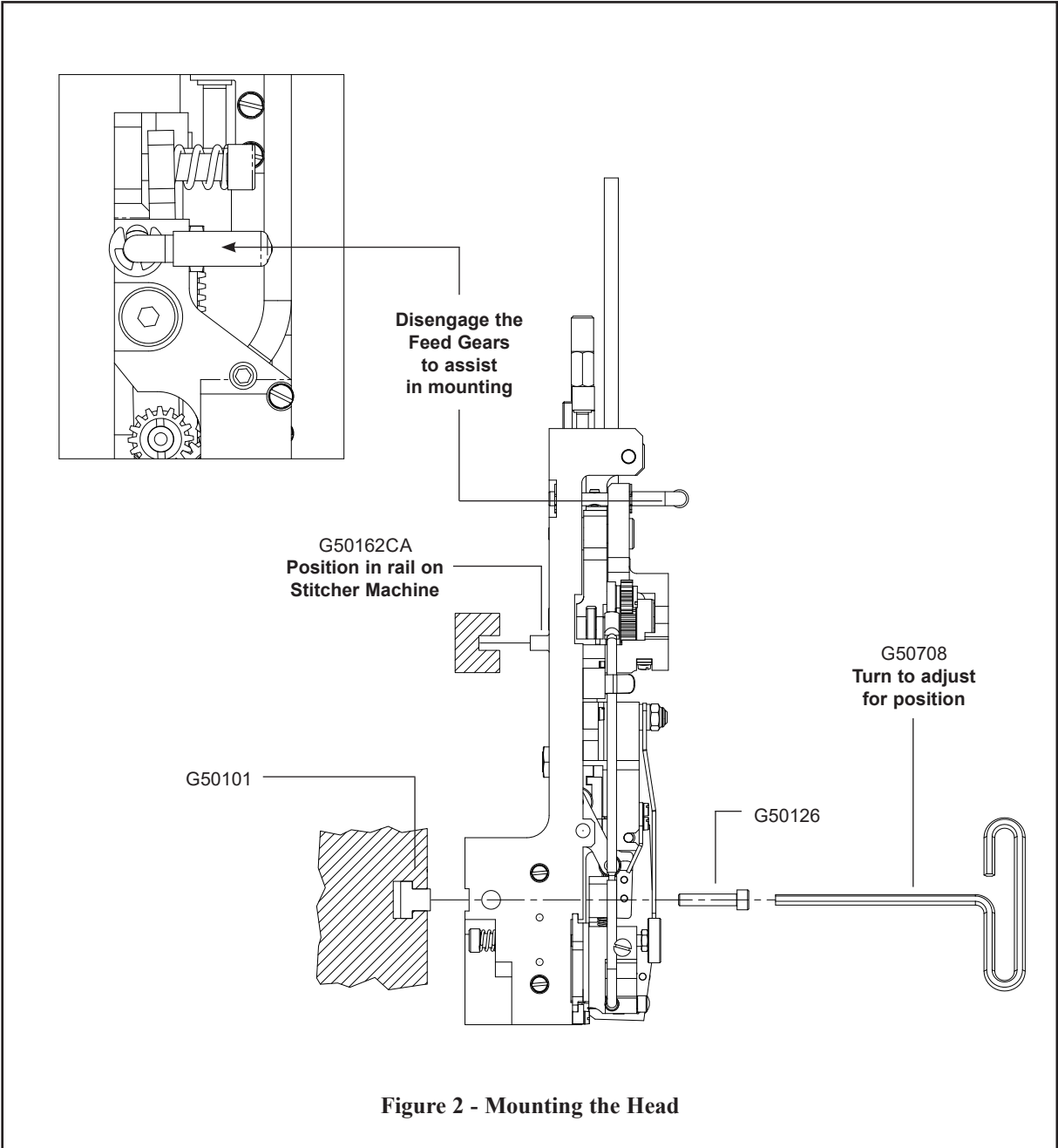
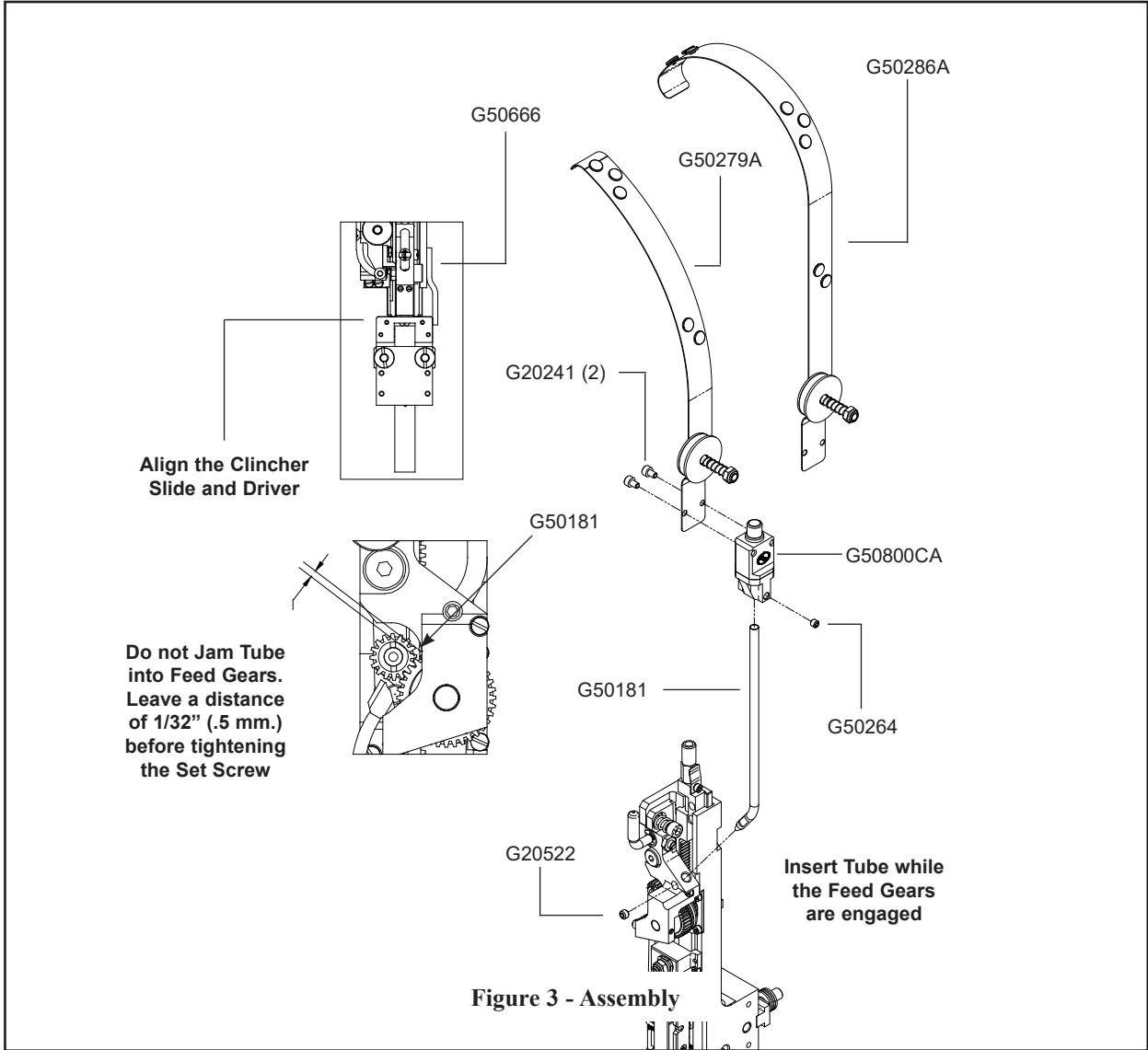


Figure 2 - Mounting the Head

Assembly (Figure 3)

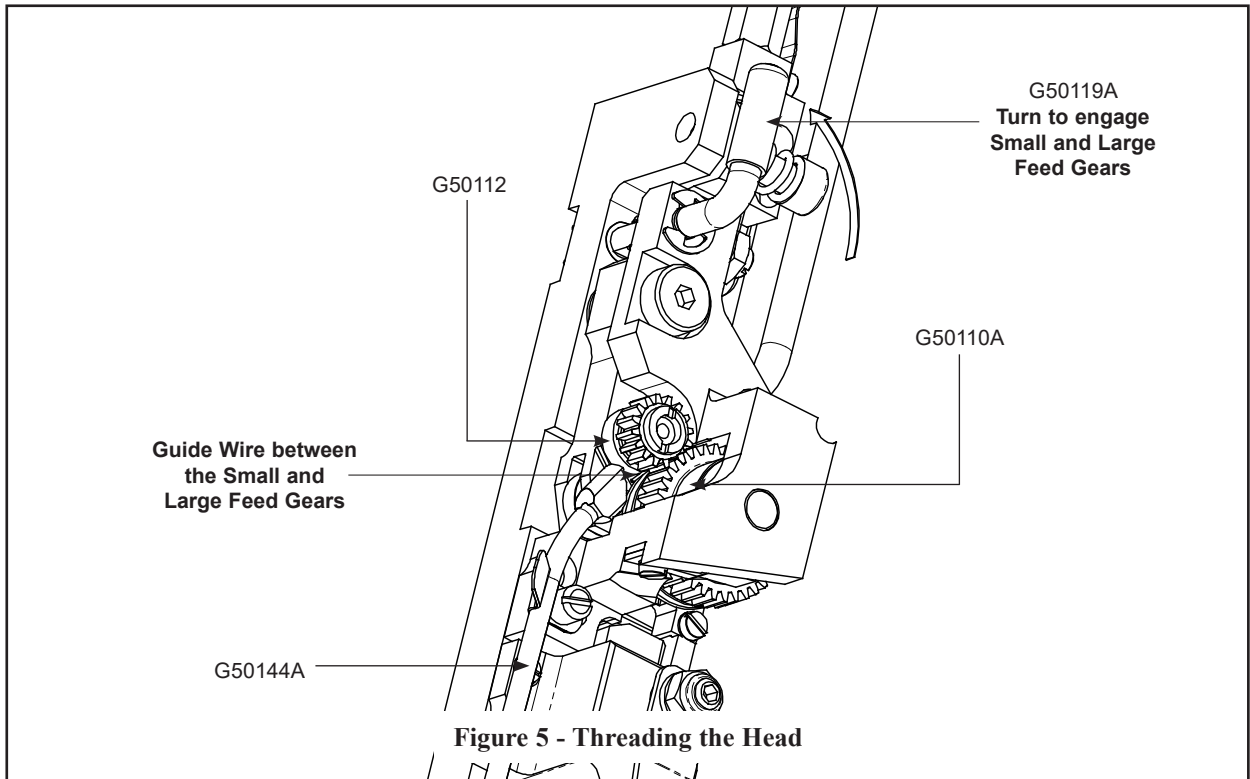
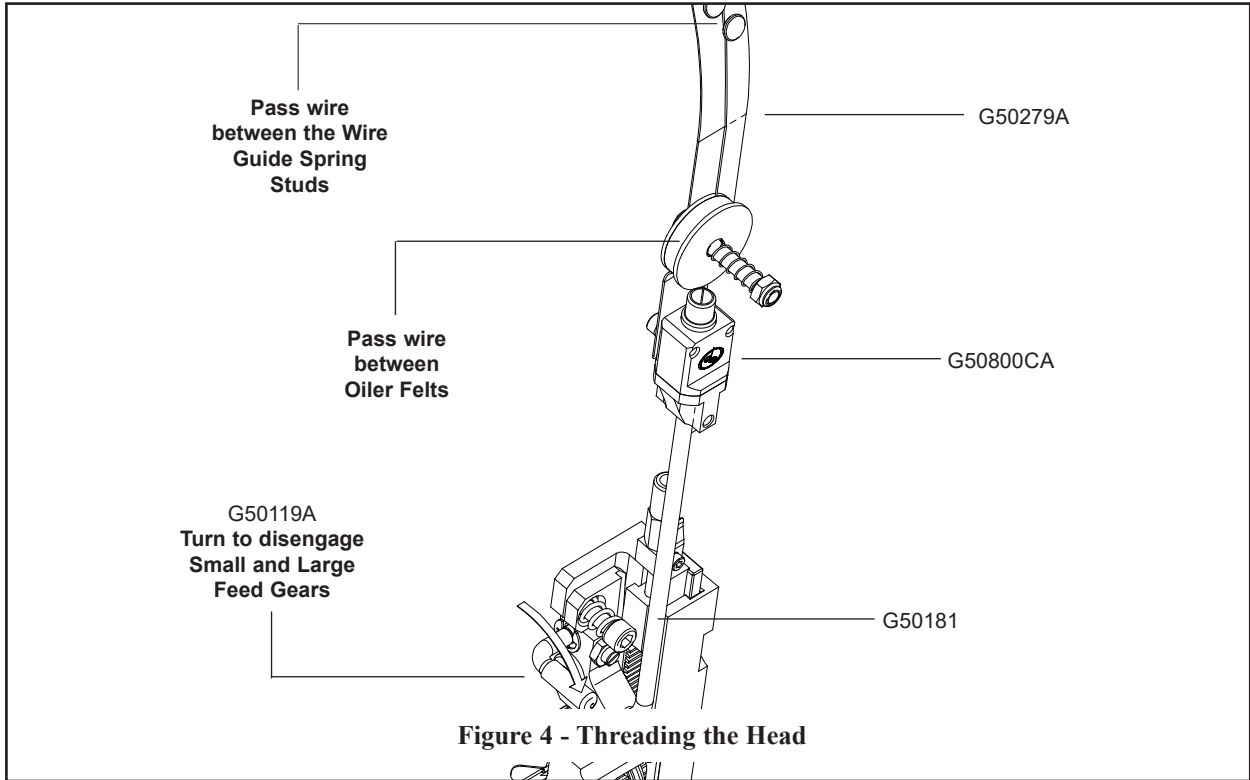


⚠ WARNING

Always disconnect the power supply before making any adjustments or servicing the head.

Operation

Wire Threading (Figures 4 & 5)



Adjusting Wire Straightness (Figures 6-9)

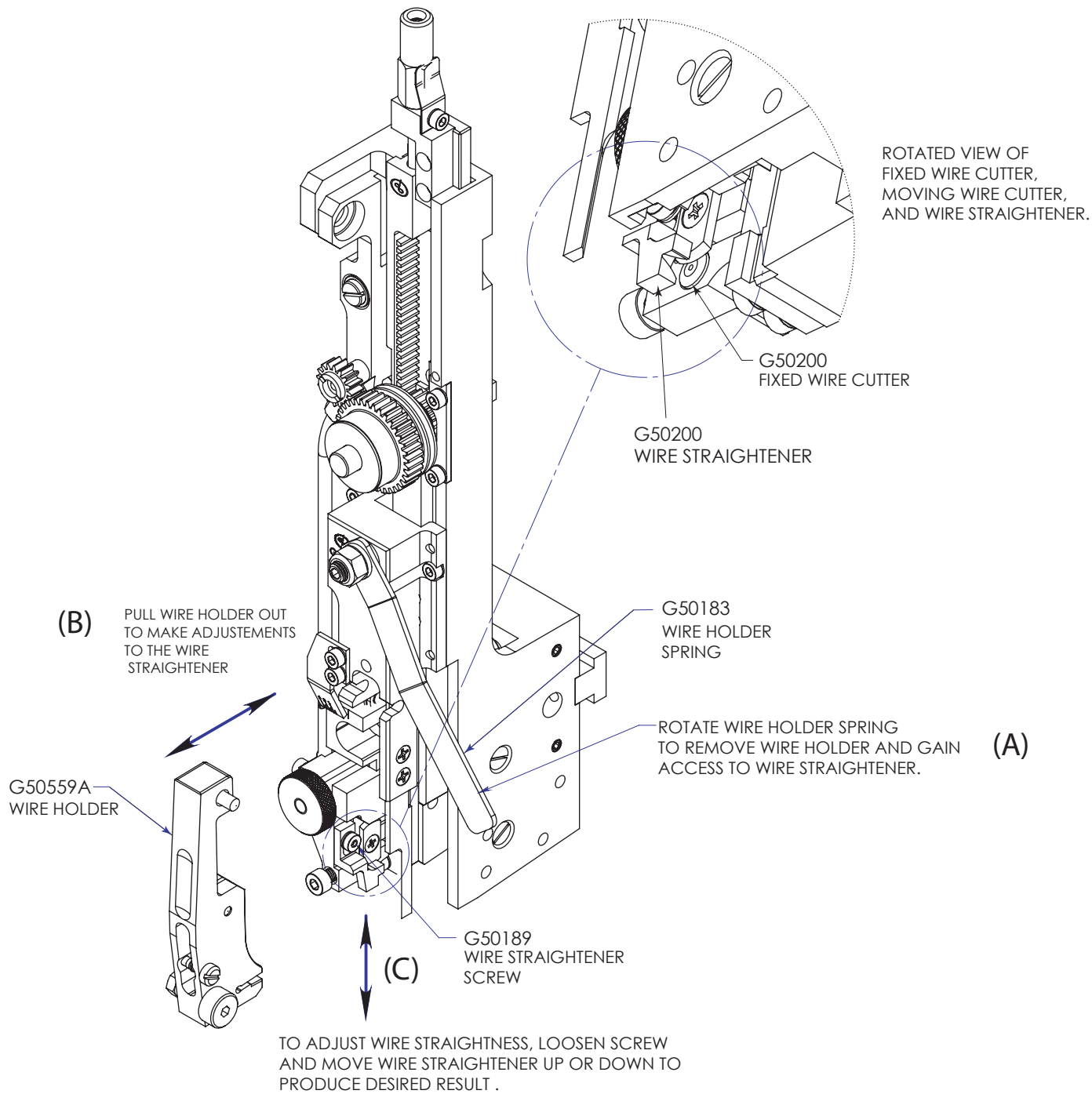


Figure 6 - Adjusting Wire Straightness

Horizontal Adjustment (Figures 6-7)

To begin horizontal wire adjustment;

(A) Swing open the Wire Holder Spring (G50183) by rotating it away from center.

(B) Pull out the Wire Holder (G50559A) to gain access to the Wire Straightener.

(C) Observe the direction the wire is moving as it emerges out of the Fixed Wire Cutter (G50200). Use an M3 wrench to loosen the Wire Straightener Screw (G50189) and allow adjustment to the Wire Straightener (G50200).

Adjustment is accomplished by simply sliding the Wire Straightener up or down to counter the effects of wire curl shown in Figs. 7a-7c. If the wire is curved upwards, slide the Wire Straightener down. Likewise If the wire is feeding downward, slide the Wire Straightener up.

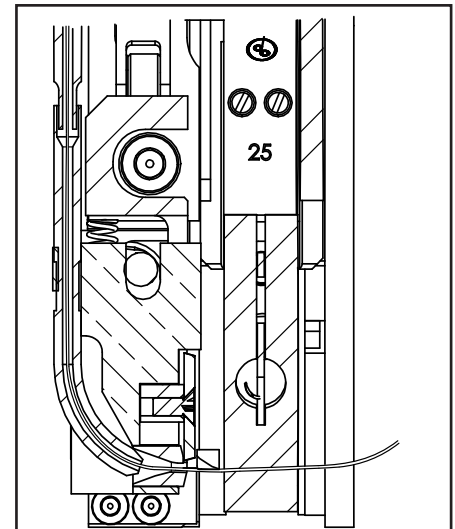


Figure 7a - Wire Curls Up

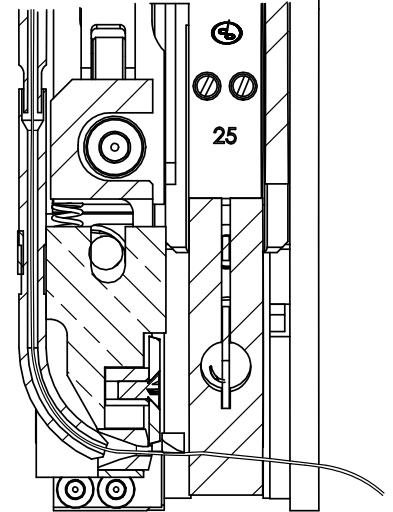


Figure 7b - Wire Curls Down

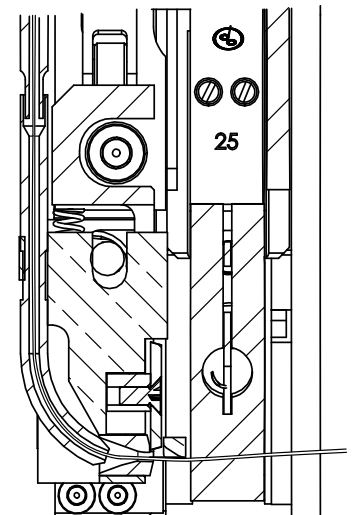


Figure 7c - Optimal Setting with Wire Pointing at 2 o'clock.

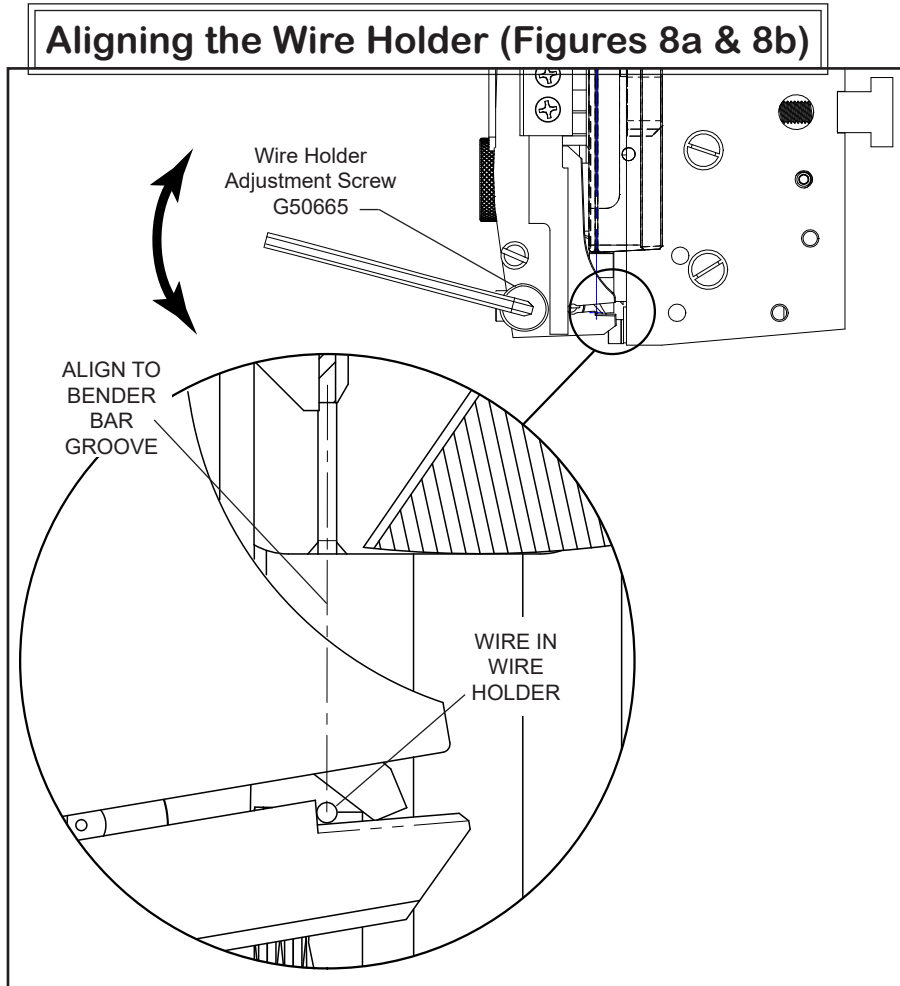
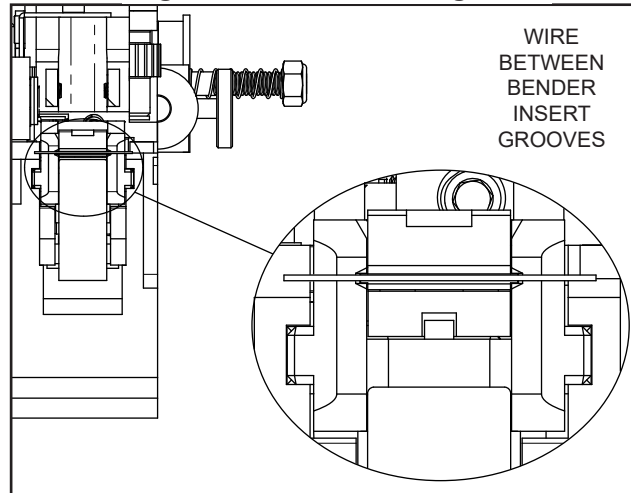


Figure 8a - Wire Holder Alignment

Figure 8b - Wire Holder Alignment

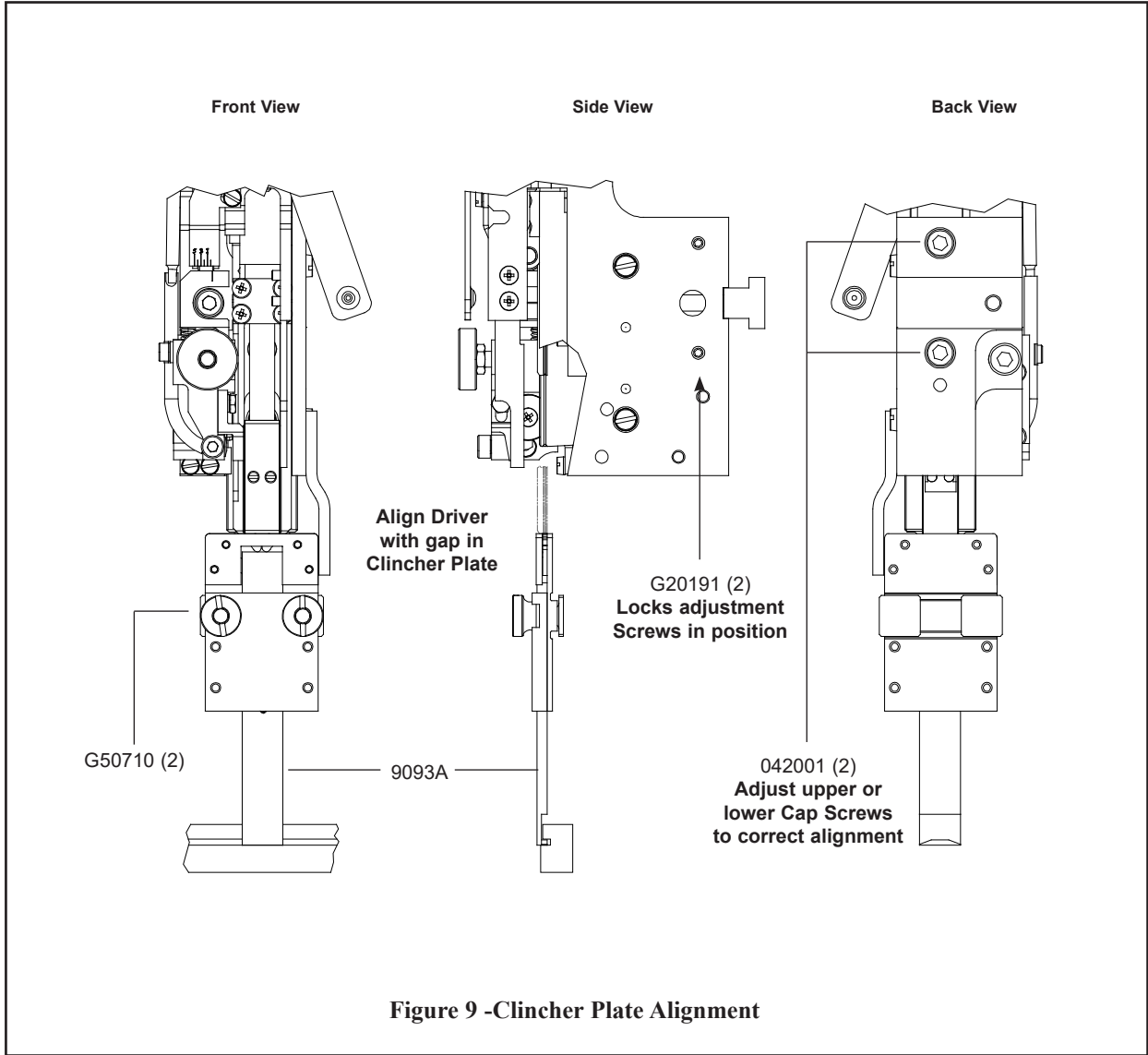


In order to form a quality stitch, the Wire Holder has to be in alignment with the Bender Bar. Specifically, the cut piece of wire held in the Wire Holder has to line up with the grooves in the Bender Bar. Poor adjustment may cause broken crowns or other poor stitching. Load a piece of wire into the Wire Holder.

Using a mirror, check to make sure the wire in the Wire Holder is lined up with the grooves in the Bender Bar (Figure 8b). Turn the Adjustment Screw (G50665) until the wire is aligned with the grooves in the Bender Bar. Tighten the Hex Nut to secure this setting.

Remove the wire in the Wire Holder and load another piece in the Stitcher Head. Verify that the setting established is accurate by again checking the piece of wire with the mirror.

Aligning the Clincher Plate (Figure 9)



Always disconnect the power supply before making any adjustments or servicing the head. **⚠ WARNING**

Adjusting the Length of the Stitch Leg (Figure 10)

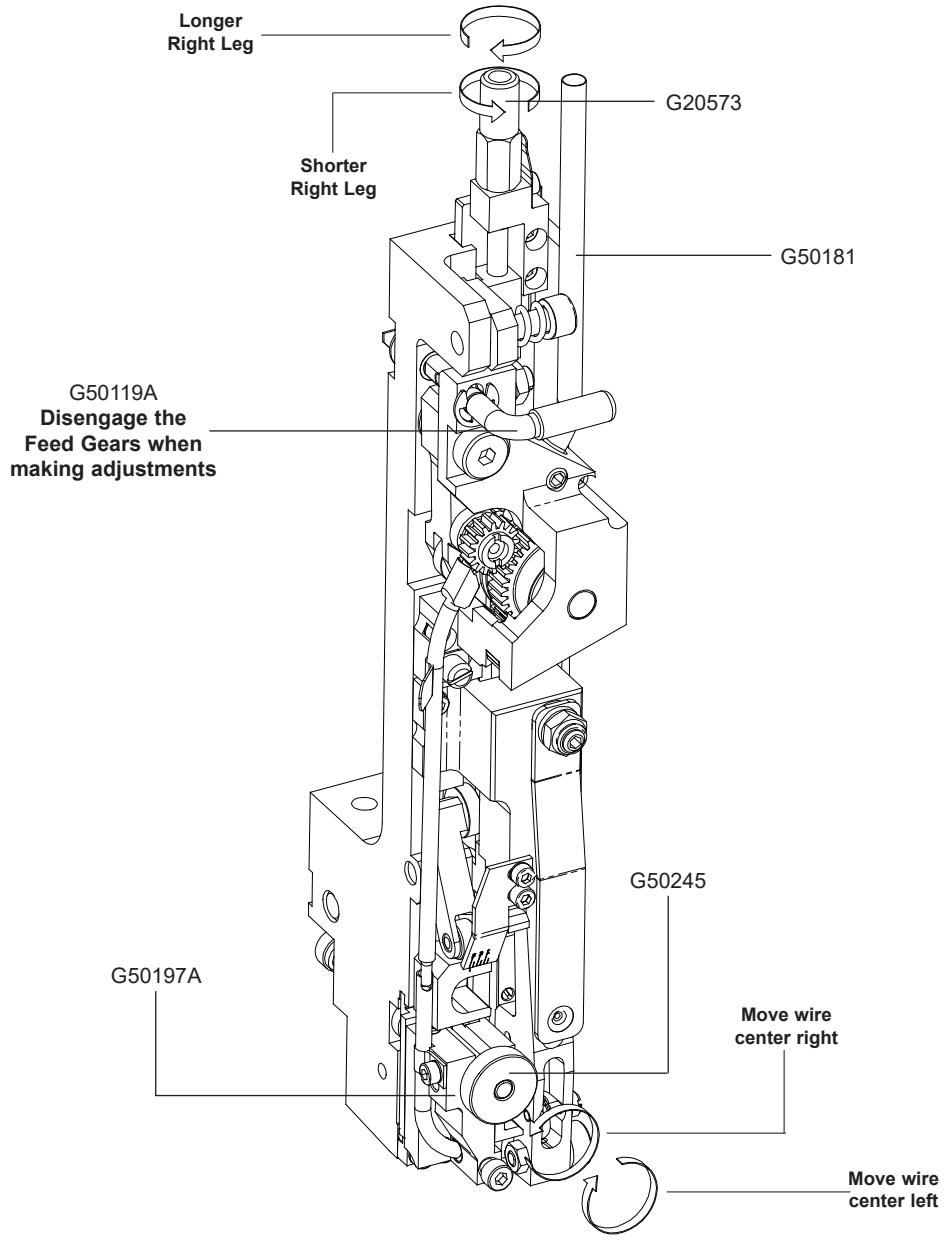


Figure 10 - Adjusting the Stitch Leg

Make sure all guards are in place before operating the stitcher head

! WARNING

Maintenance

Lubrication (Figure 11)

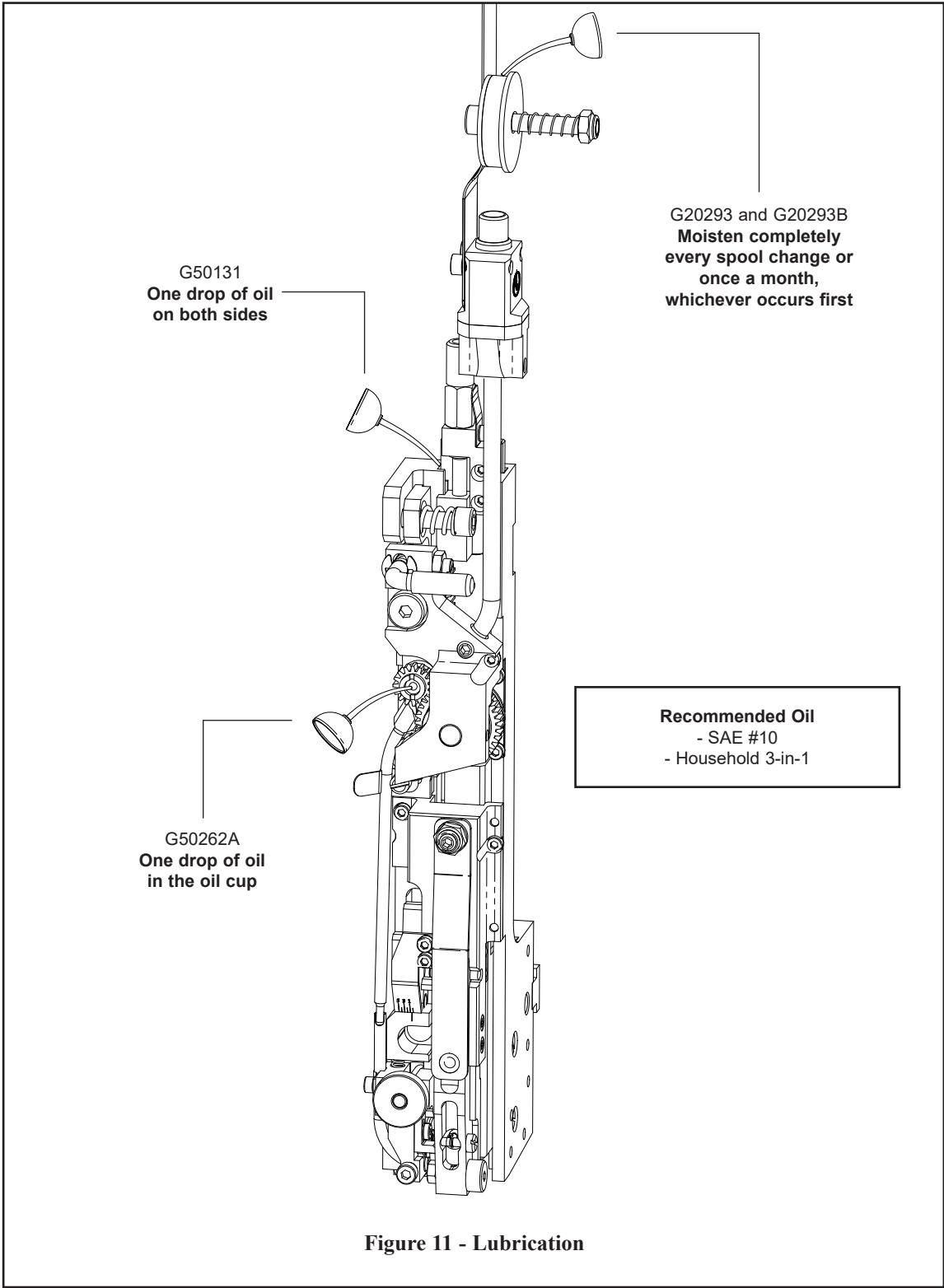
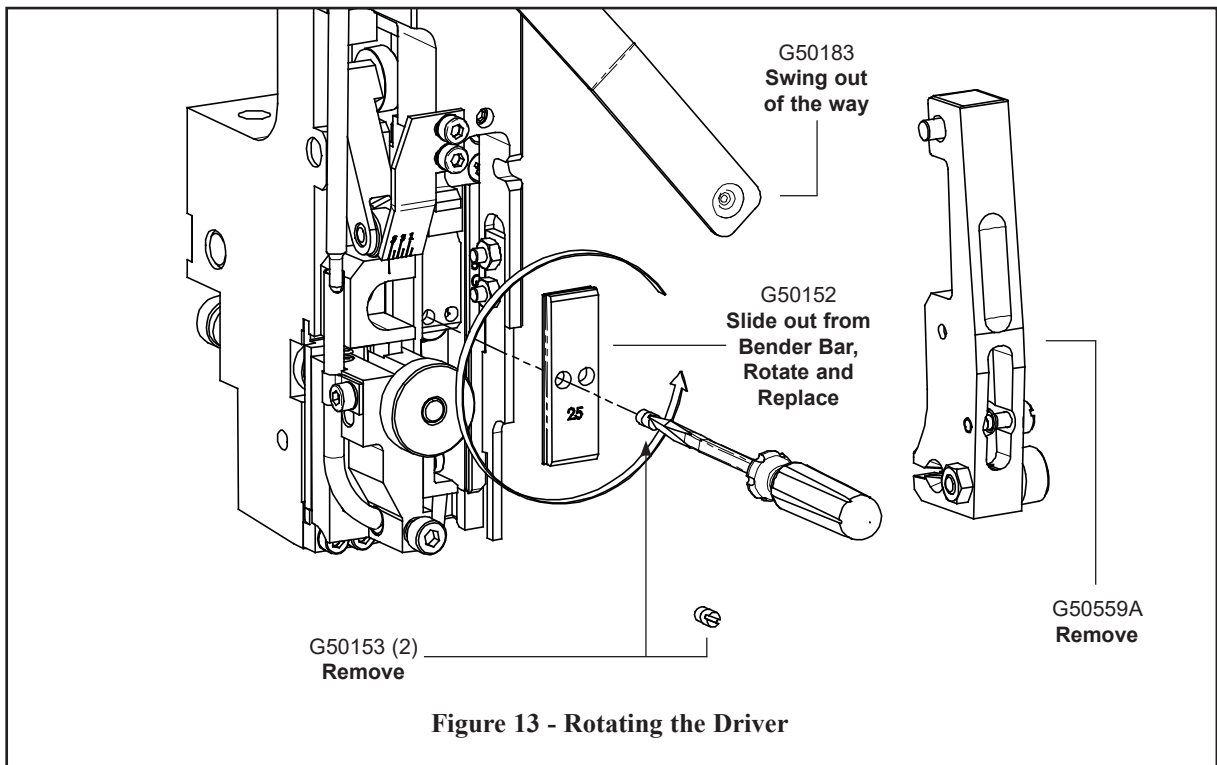
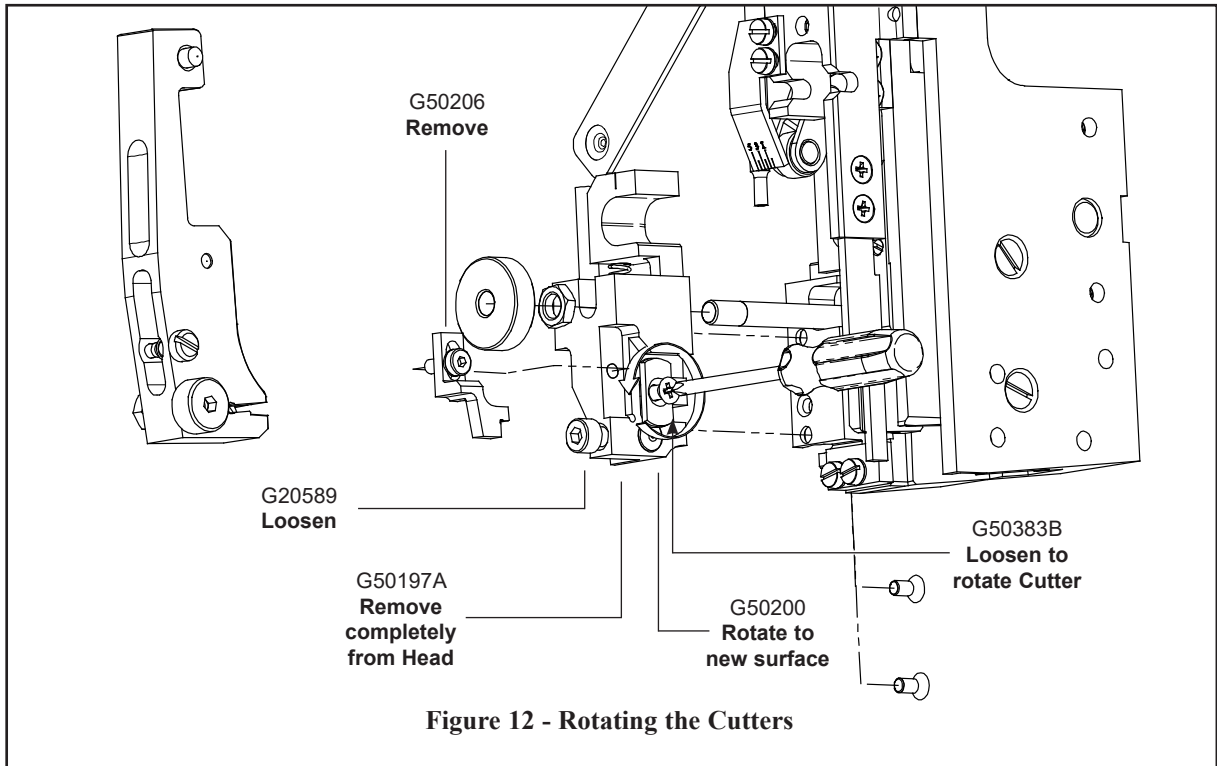


Figure 11 - Lubrication

Rotating Replacement Parts (Figures 12 & 13)



Cleaning

Routine cleaning is important for the maintenance of your G5 Head. Blow off dust, dirt and build-up with compressed air at least during Spool changes. The Head should be refurbished every one million stitches:

- **Large Feed Gear Assembly (G50110A):**

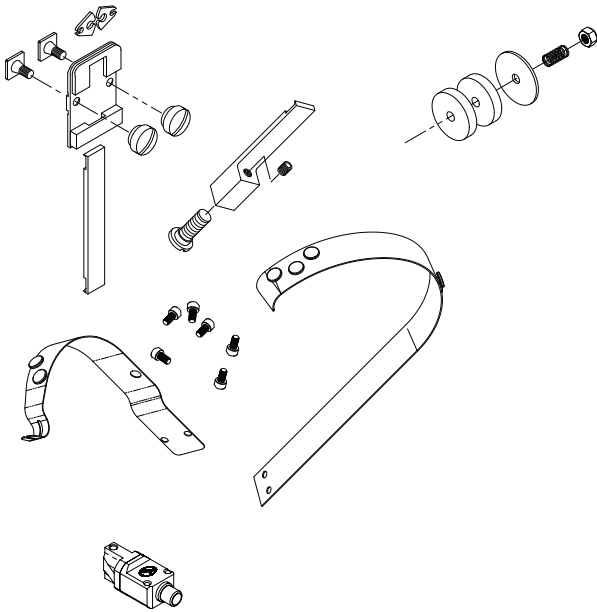
Remove and wash in a petroleum-based, oil-dissolving solvent, dry and repack the Feed Gear with any general Lithium-based light weight Grease.

- **Anywhere that dust, oil, pieces of wire and/or paper have built up:**

For example, around the Clincher Points and by the Forming Pin Cam (G50117). Remove the Wire Holder and blow clean with pressurized air.

Ordering Spare Parts

In time, you will need to replace some parts in your G5 style Stitcher Head. When this happens, first locate the needed part in one of the following diagrams. Then locate the DeLuxe Stitcher part number and contact your Graphic Arts Representative to order the part by part number, description and quantity at **800-634-0810**.

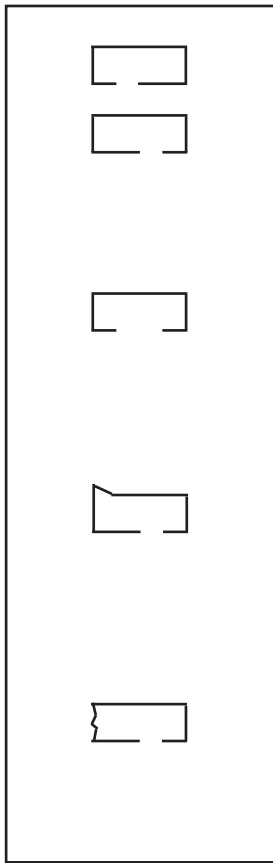


Troubleshooting (Figure 14)

The quality and quantity of work that can be produced with the G5 Stitching Head is dependent upon the operator making all adjustments as accurately as possible and carefully maintaining the head. The cause of staple imperfections usually can be traced to inaccurate settings or normal wear of moving parts. In the event of trouble of this nature occurring, the operator can, by referring to the following troubleshooting chart, quickly locate and remedy the cause or causes of the trouble.

The following is a brief list of problems and possible solutions which should cover the majority of situations encountered when stitching with the G5 style Stitching Heads.





PROBLEM: Gap Out of Center

SOLUTION: Lengthen or shorten the left leg by adjusting the Cutter Box. (See page 9)

PROBLEM: Gap Too Big

SOLUTION: Increase wire draw with the Feed Rack Adjustment Knob, then center stitch gap as described above. (See page 9)

PROBLEM: Corner Buckled

SOLUTION: Check the Driver (G50152) for a chipped corner and rotate or replace it if needed.

PROBLEM: Leg(s) Buckled

SOLUTION: If the ends of an unformed piece of wire are not smooth, the Wire Cutters (G50145B or G50200) are worn. Check for wear and rotate or replace if needed.

Figure 14 - Troubleshooting

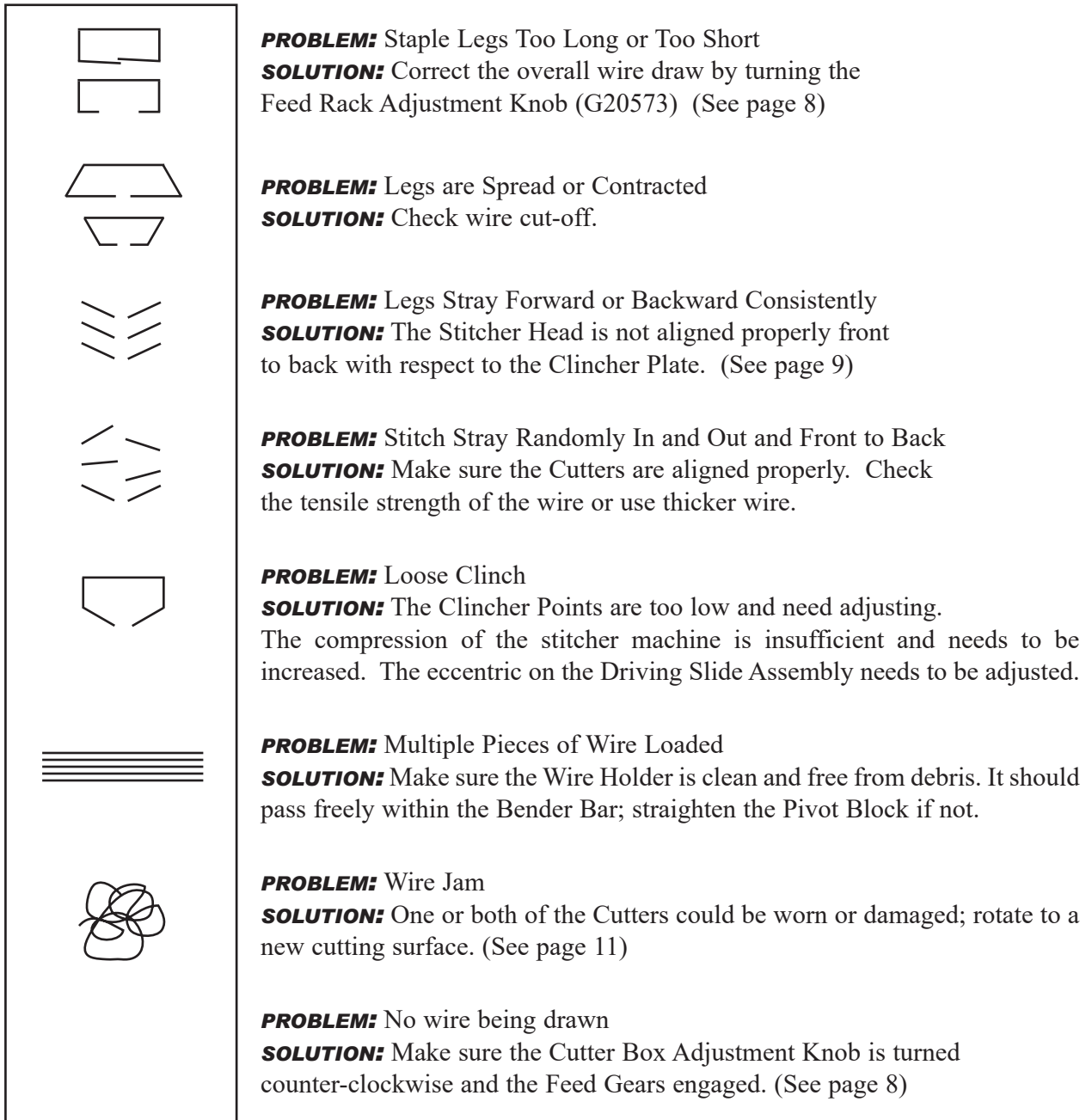
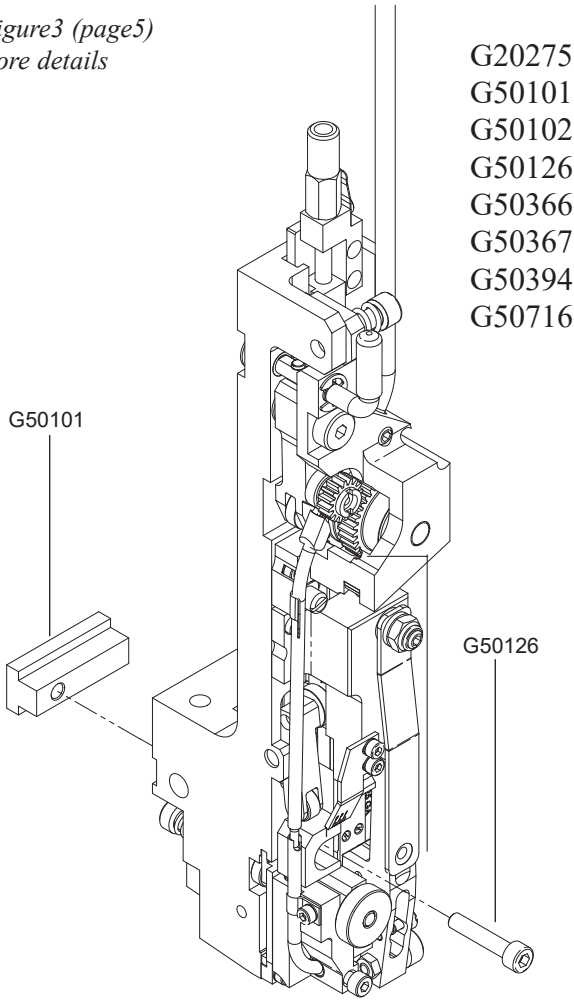


Figure 14 - Troubleshooting

Head Mounting - Front - STANDARD

see Figure3 (page5)
for more details

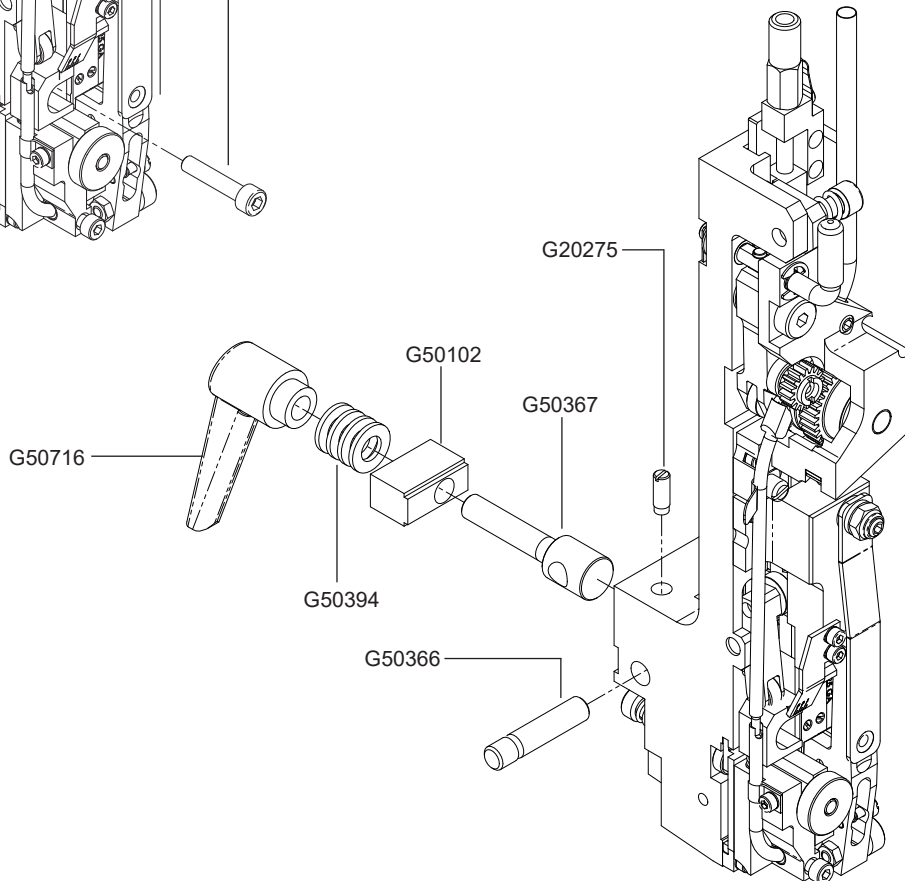


- G20275
- G50101
- G50102
- G50126
- G50366
- G50367
- G50394
- G50716

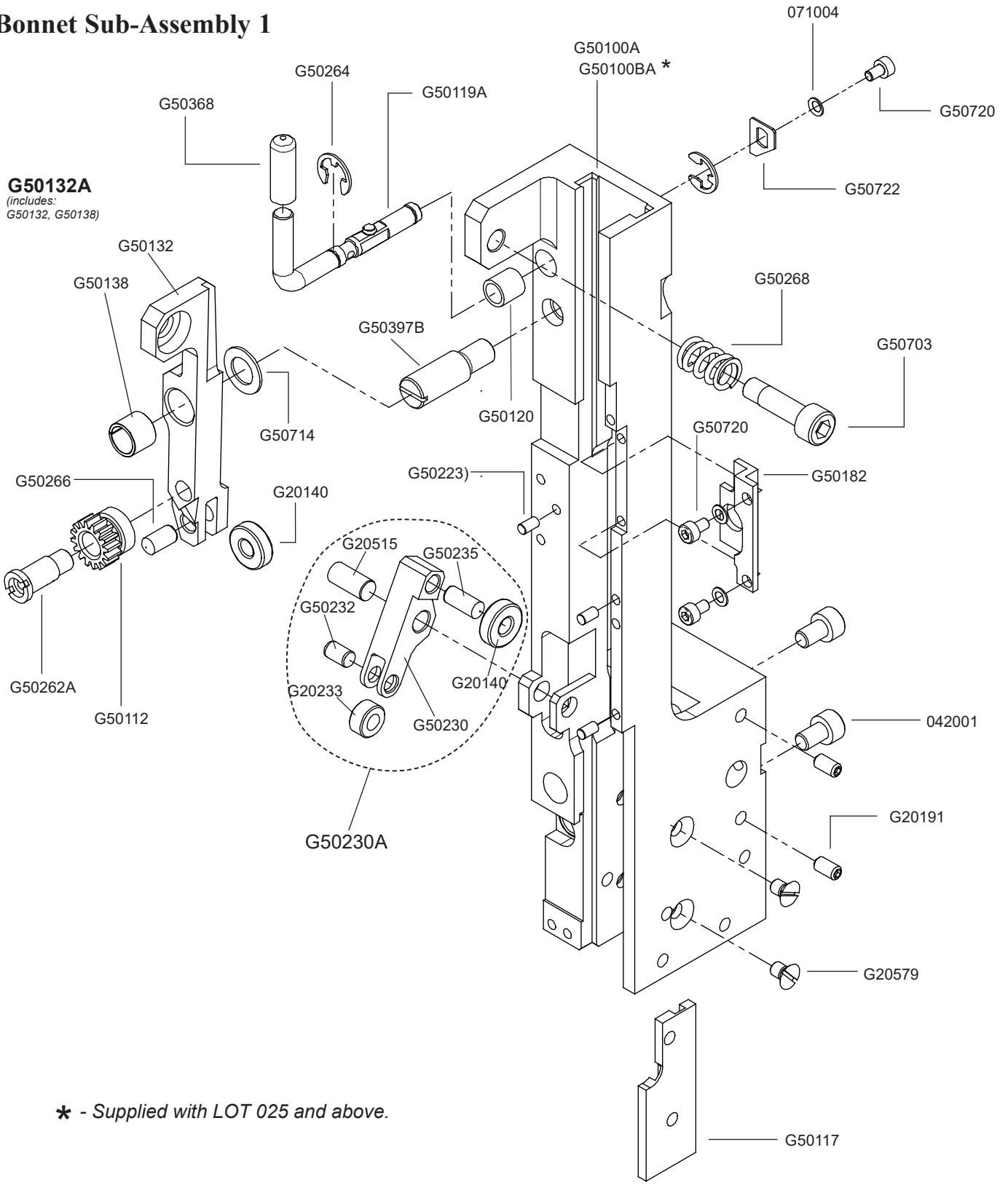
Head Mounting Hardware

- | | |
|--------------------------|---|
| Ball Spring Plunger | 1 |
| Clamp Block | 1 |
| Mounting Block - Keyed | 1 |
| Screw M5x0.8x25 | 1 |
| Bonnet Clamp Pin | 1 |
| Head Mounting Bolt, M8 | 1 |
| Flat Washer M8 (watkiss) | 4 |
| Mounting Block Handle | 1 |

Alternate-Style Head Mounting - Rear CPBOURG/HORIZON/WATKISS



Bonnet Sub-Assembly 1

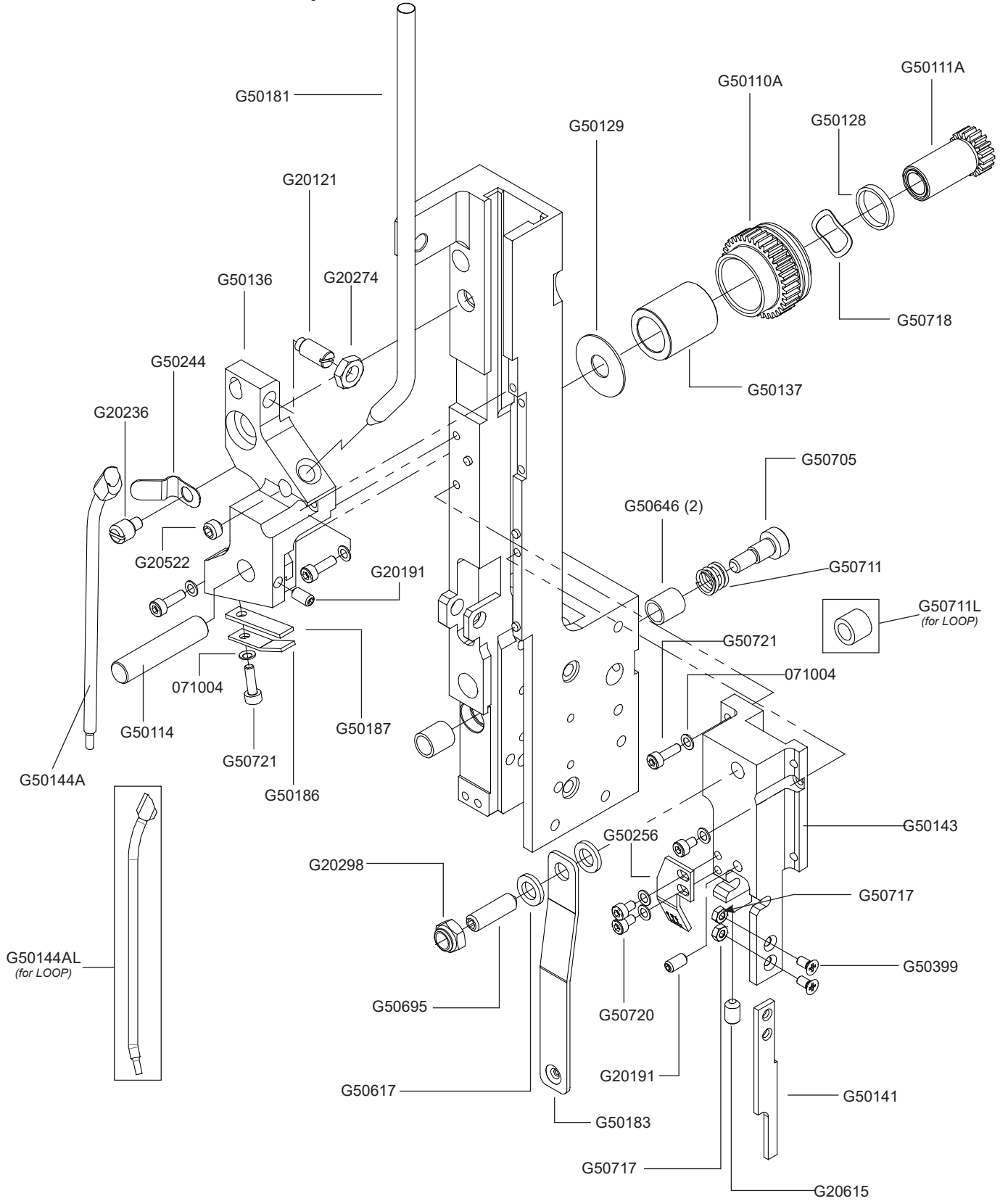


* - Supplied with LOT 025 and above.

Bonnet Sub-Assembly 1

042001	Screw M5x0.8x8	2
071004	Lock Washer Ribbed	3
G20191	Screw M4x0.7x8	2
G20515	Dowel Pin M6x14	1
G20579	Screw M4x0.7x6	2
G50100A	Bonnet Assembly - G5	1
G50100BA	Bonnet Assembly - G5	1
G50112	Small Feed Gear	1
G50117	Forming Pin Cam	1
G50119A	Feed Release Handle Assem.	1
G50132A	Feed Lever Assembly	1
G50182	Feed Gear Plate	1
G50230A	Cutter operating Lever Assem.	1
G50262A	Sm Feed Gear Shaft Assembly	1
G50264	E-Ring 6mm	2
G50266	Dowel M5x10	1
G50268	Feed Lever Spring	1
G50368	Handle Cap - Grey	1
G50397B	Stud, G5 Feed Lever	1
G50703	Feed Lever Spring Screw	1
G50714	Feed Lever Spacer	1
G50720	Screw M3x0.5x6	3
G50722	Feed Release Handle Stop	1

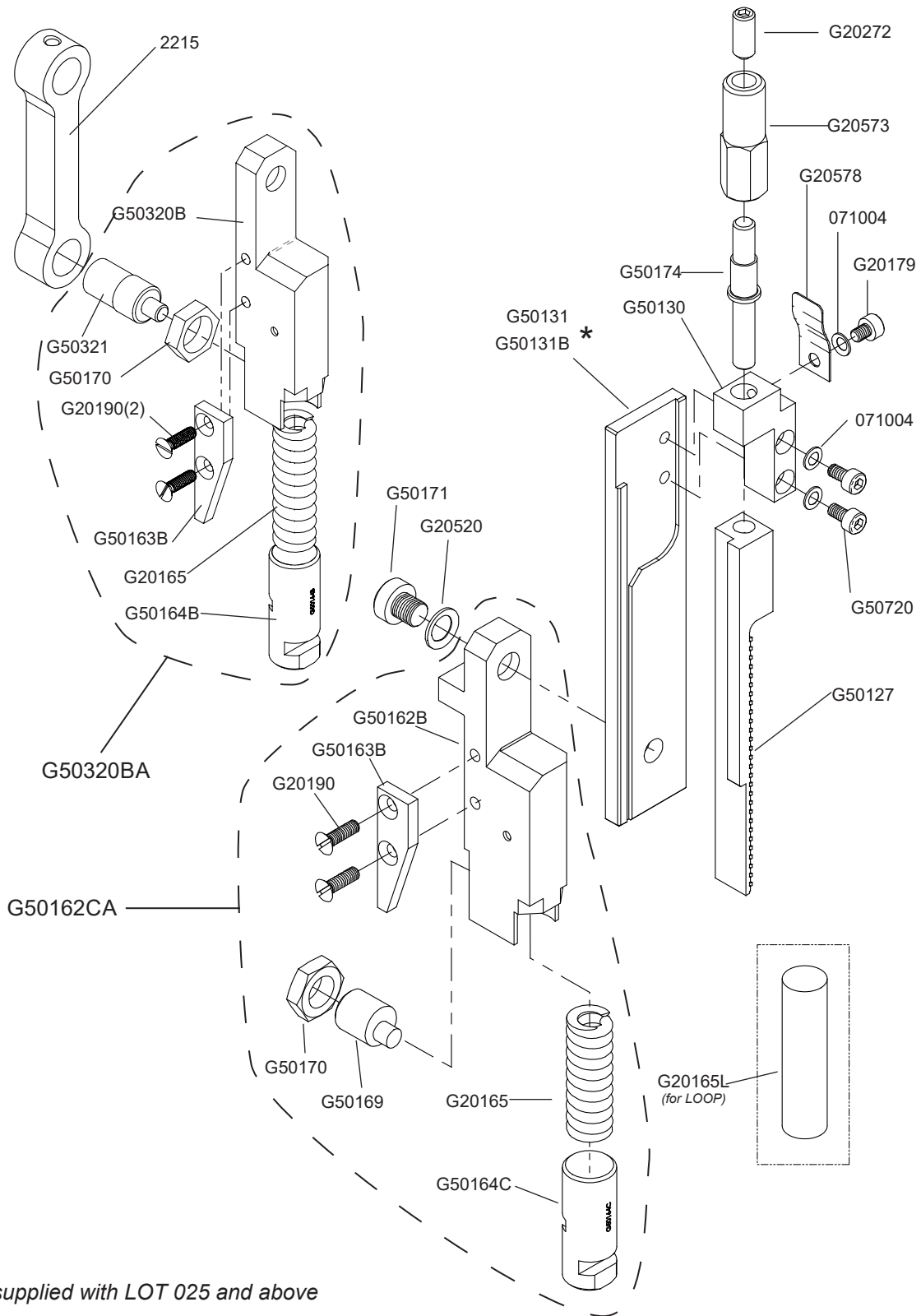
Bonnet Sub-Assembly 2



Bonnet Sub-Assembly 2

071004	Lock Washer Ribbed	7
G20121	Feed Release Plunger	1
G20191	Screw M4x0.7x8	2
G20236	Tube Pivot Screw	1
G20274	Hex Jam Nut, M6x1	1
G20298	Nylock Lock Nut, M6x1	2
G20522	Screw M6x1.0x5, Nylon	1
G20615	Screw M5x0.8x8	1
G50110A	Large Feed Gear Assembly	1
G50111A	Feed Pinion Assembly	1
G50114	Feed Gear Pin	1
G50128	Pinion Washer	1
G50129	Large Feed Gear Washer	1
G50136	Feed Gear Bracket	1
G50141	Wire Guide Bar	1
G50143	Pivot Block	1
G50144A	Middle Wire Tube Assembly	1
G50144AL	Middle Wire Tube Assembly - Loop	
G50181	Upper Wire Tube	1
G50183	Retaining Spring	1
G50186	Feed Gear Friction Spring	1
G50187	Feed Gear Friction Pad	1
G50244	Tube Clip	1
G50256	Scale	1
G50399	Screw M3x0.5x8	2
G50617	Wire Holder Spring Washer	2
G50646	Eccentric Bearing	2
G50695	Screw M6x1.0x20	1
G50705	Shoulder Screw M6x8	2
G50711	Screw Spring	1
G50711L	Eccentric Screw Spring-Loop	1
G50717	Hex nut M3X0.5	2
G50717	Hex Nut M3x0.5	2
G50718	Feed Gear Spring	1
G50720	Screw M3x0.5x6	3
G50721	Screw M3x0.5x10	4

Driver and Feed Slide Assemblies



Driver and Feed Slide Assemblies

071004	Lock Washer Ribbed	2
G20179	Screw M3x0.5x4	1
G20272	Screw M5x0.8x12	1
G20520	Ribbed Lock Washer M6	1
G20573	Feed Rack Adjustment Knob	1
G20578	Rack Adjustment Detent	1
G50127	Feed Rack	1
G50130	Feed Adjustment Block	1
G50131	Feed Slide	1
G50131B	Feed Slide	1
G50171	Screw M6x1.0x6	1
G50174	Feed Rack Adjustment Stud	1
G50720	Screw M3x0.5x6	2

G50320BA Driving Slide Assembly, Crank Drive

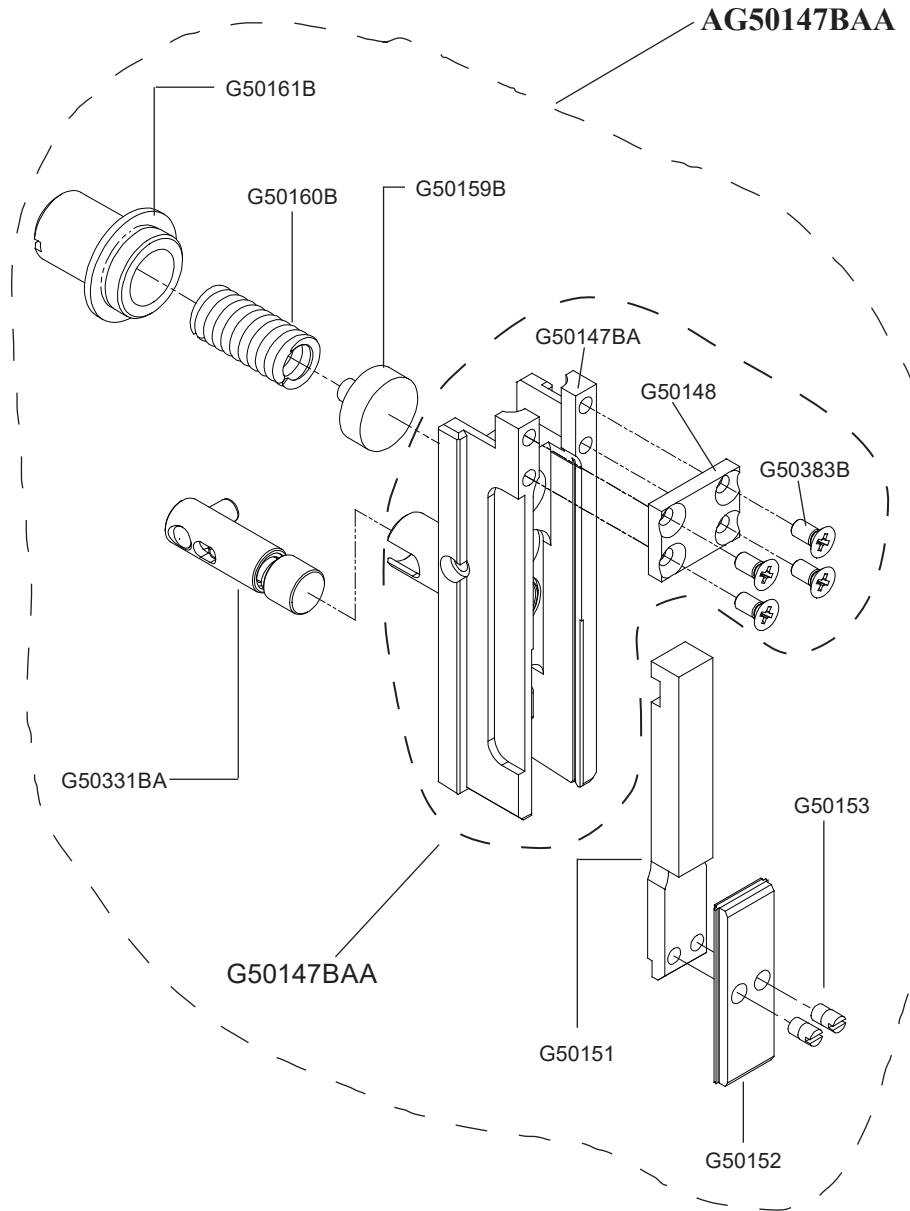
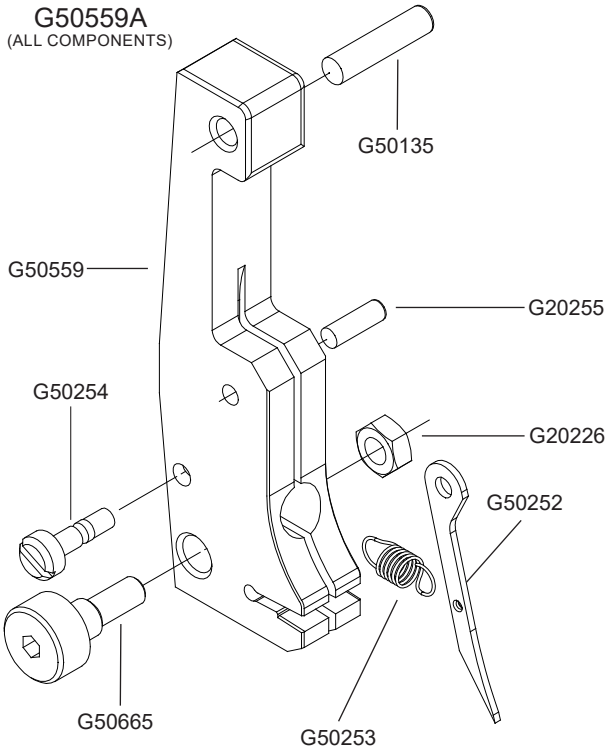
G20165	Driving Slide Spring	1
G20190	Screw M3x0.5x10	2
G50163B	Cutter Operating Cam	1
G50164B	Driving Slide Plunger	1
G50170	Custom Hex Nut M10x1.25	1
G50320B	Driving Slide, G5 Crank	1
G50321	Crank Link Screw	1

G50162CA Driving Slide Assembly, STANDARD

G20165	Driving Slide Spring	1
G20190	Screw M3x0.5x10	2
G50162B	Driving Slide	1
G50163B	Cutter Operating Cam	1
G50164C	Plunger	1
G50169	Driving Slide Plunger Ecc.	1
G50170	Custom Hex Nut M10x1.25	1
G50646	Cutter Box Eccentric Bearing	2

Driver and Bender Bars

Wire Holder Assembly



G50559A Wire Holder Assembly

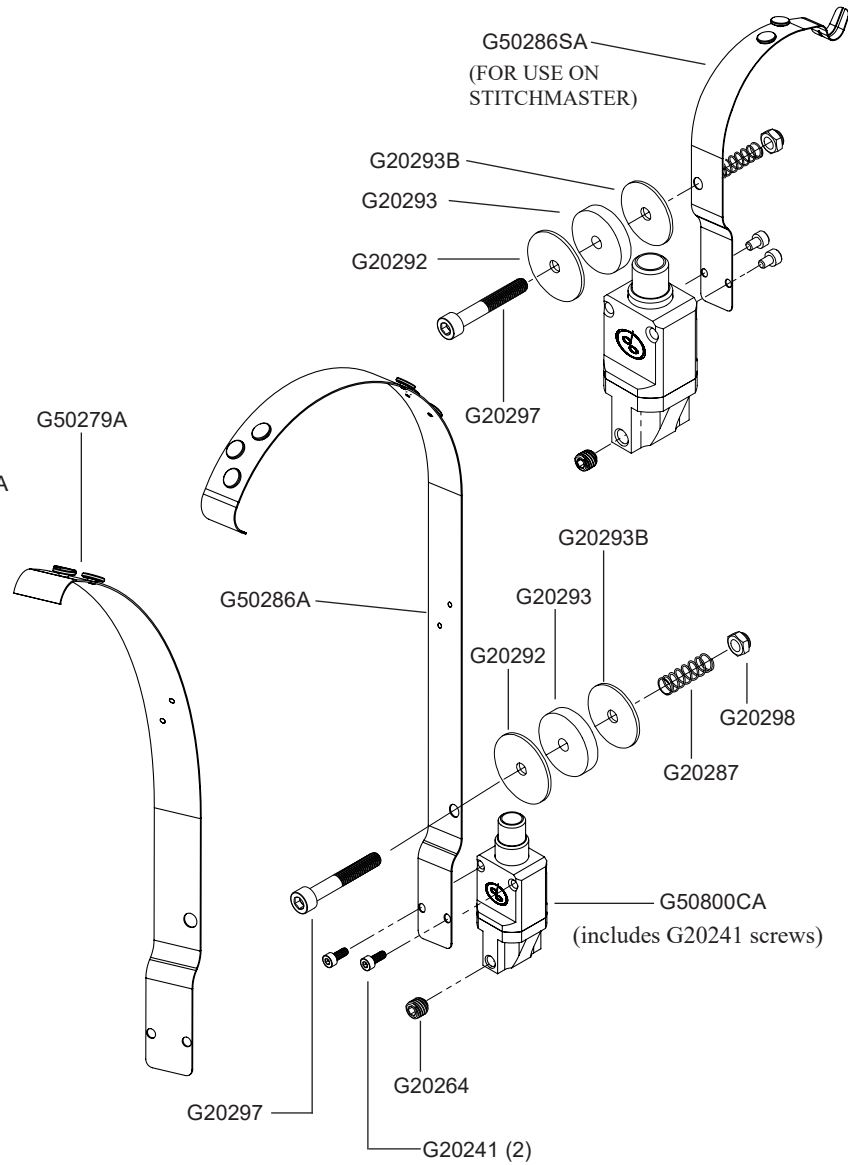
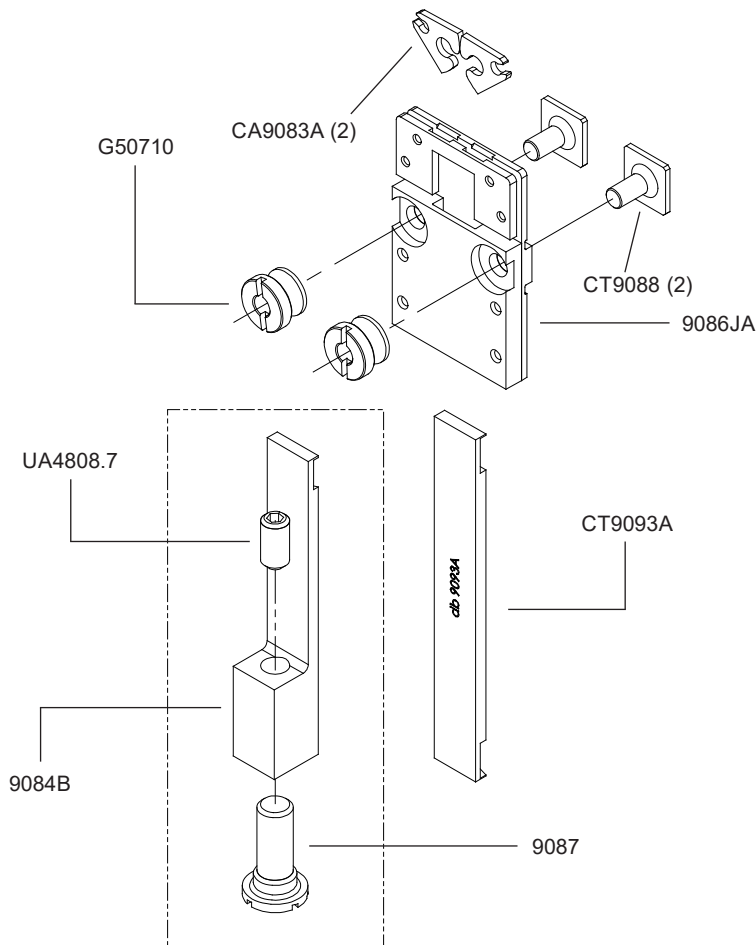
G20226	Hex Nut M4x.7	2
G20255	Dowel Pin M3x10	1
G50135	Wire Holder Pivot Pin	1
G50252	Wire Hook	1
G50253	Wire Hook Spring	1
G50254	Wire Holder Spring Screw	1
G50559	Wire holder	1
G50665	Adjustment Screw	1

AG50147BAA Bender Bar Assembly, G5. Complete

G50147BAA	Bender Bar Assembly	1
G50151	Driver Bar	1
G50152	Driver - 25 Wire	1
G50153	Driver Retaining Screw	2
G50159B	Friction Plug	1
G50160B	Bender Bar Friction Spring	1
G50161B	Friction Plug Bushing	1
G50331BA	Forming Pin Assembly	1

Wire Guide Bracket and Spring

Clincher Plate Assembly



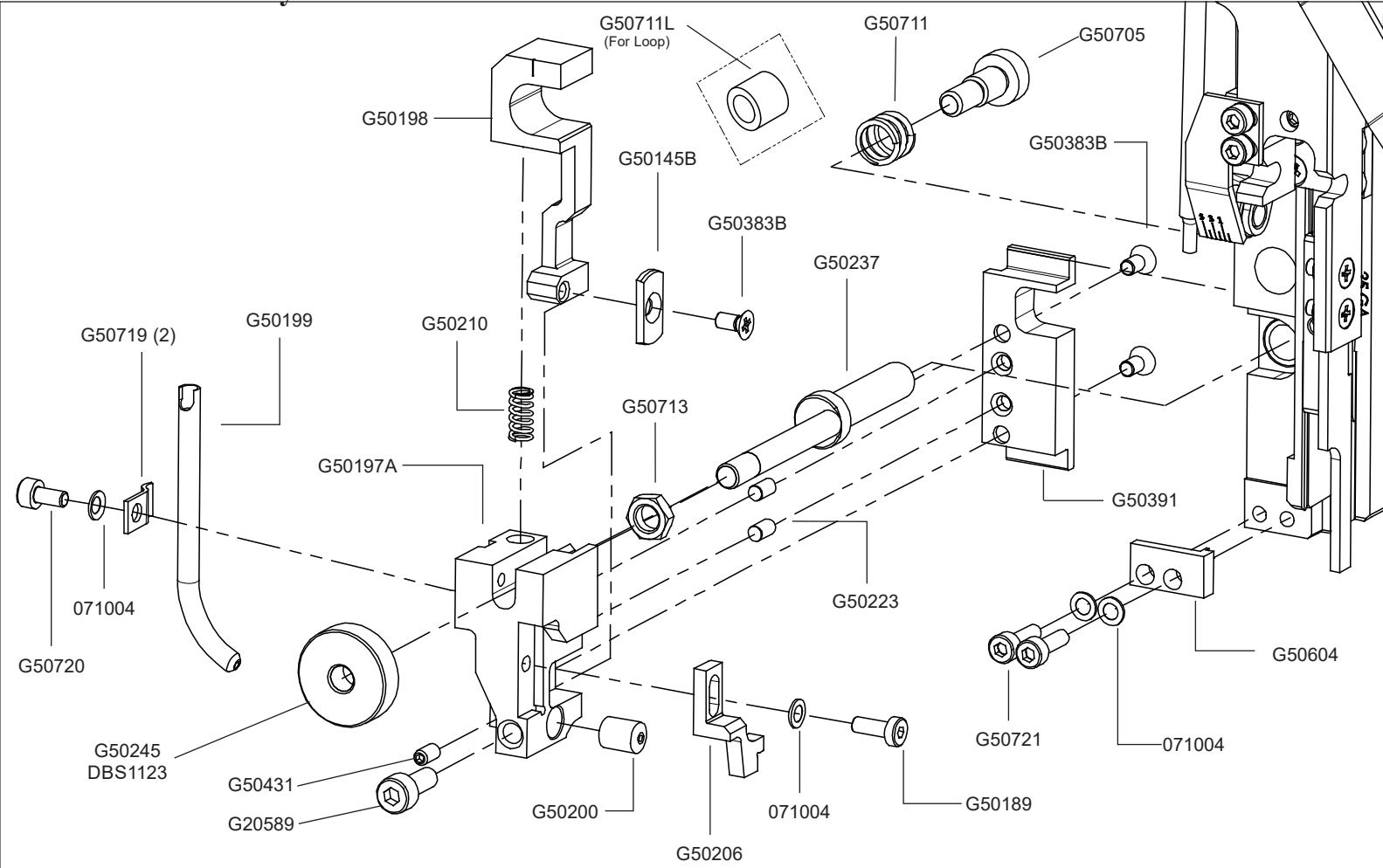
Clincher Plate Assembly

9084B	Adjustable Clincher Slide	1
CT9093A	Clincher Slide - Thick	1
9087	Slide Adjustment Screw	1
9086JA	Clincher Plate ASSEM. - Thick,	1
CT9088	Clincher Plate Binder Bolt	2
CA9083A	Clincher Point - Thick, Round	2
G50710	Clincher Plate Nut	2
UA4808.7	Screw 1/4-28 x 1/4	1

Wire Guide Bracket and Spring Assemblies.

G20241	Screw M4x0.7x6	2
G20287	Wire Oiler Felt Spring	1
G20292	Wire Oil Felt, Washer	1
G20293	Wire Oiler Felt	1
G20293B	Wire Oiler Felt, Thin	1
G20297	Screw M6x1.0x40	1
G20298	Nylock Lock Nut, M6x1	1
G50286A	Guide Spring Assy - 180 Deg	1
G50279A	Guide Spring Assy - 90 Deg	1
G50800CA	Anti-Back Up Unit - M6 Tube	1

Cutter Box Assembly



Cutter Box Assembly

071004	Lock Washer Ribbed	4
DBS1123	Decal, Adjustment Setting	1
G20589	Screw M4x0.7x10	1
G50145B	Moving Cutter	1
G50189	Screw M3x0.5x10	1
G50197A	Cutter Box Assembly	1
G50198	Cutter Operating Slide	1
G50199	Lower Wire Tube	1
G50200	Fixed Wire Cutter	1
G50206	Wire Straightener	1
G50210	Cutter Operating Spring	1
G50223	Dowel Pin M3x6	2
G50237	Adjusting Eccentric	1
G50245	Cutter Box Adjustment Knob	1
G50383B	Screw M3x0.5x6	2
G50391	Cutter Box Mounting Plate	1
G50431	Screw M3x0.5x6	1
G50604	Cutter Box Guide Plate	1
G50705	Shoulder Screw M6x8	2
G50711	Screw Spring	1
G50711L	Ecc. Screw Spring-Loop	1
G50713	Hex Jam Nut M5	1
G50719	Lower Tube Clip	1
G50720	Screw M3x0.5x6	2
G50721	Screw M3x0.5x10	2

G5KL-Loop Stitch Conversion Kit

The standard G5 Head with 25 gauge wire can be converted to a loop style by exchanging the following three sub-assemblies: the Wire Holder Assembly, the Cutter Block Assembly and the Bender Bar Assembly.

Contact your DeLuxe Stitcher Graphic Arts Representative or the DeLuxe Stitcher Customer Service Department for ordering information or for additional technical information on other wire sizes available in Loop Stitch.

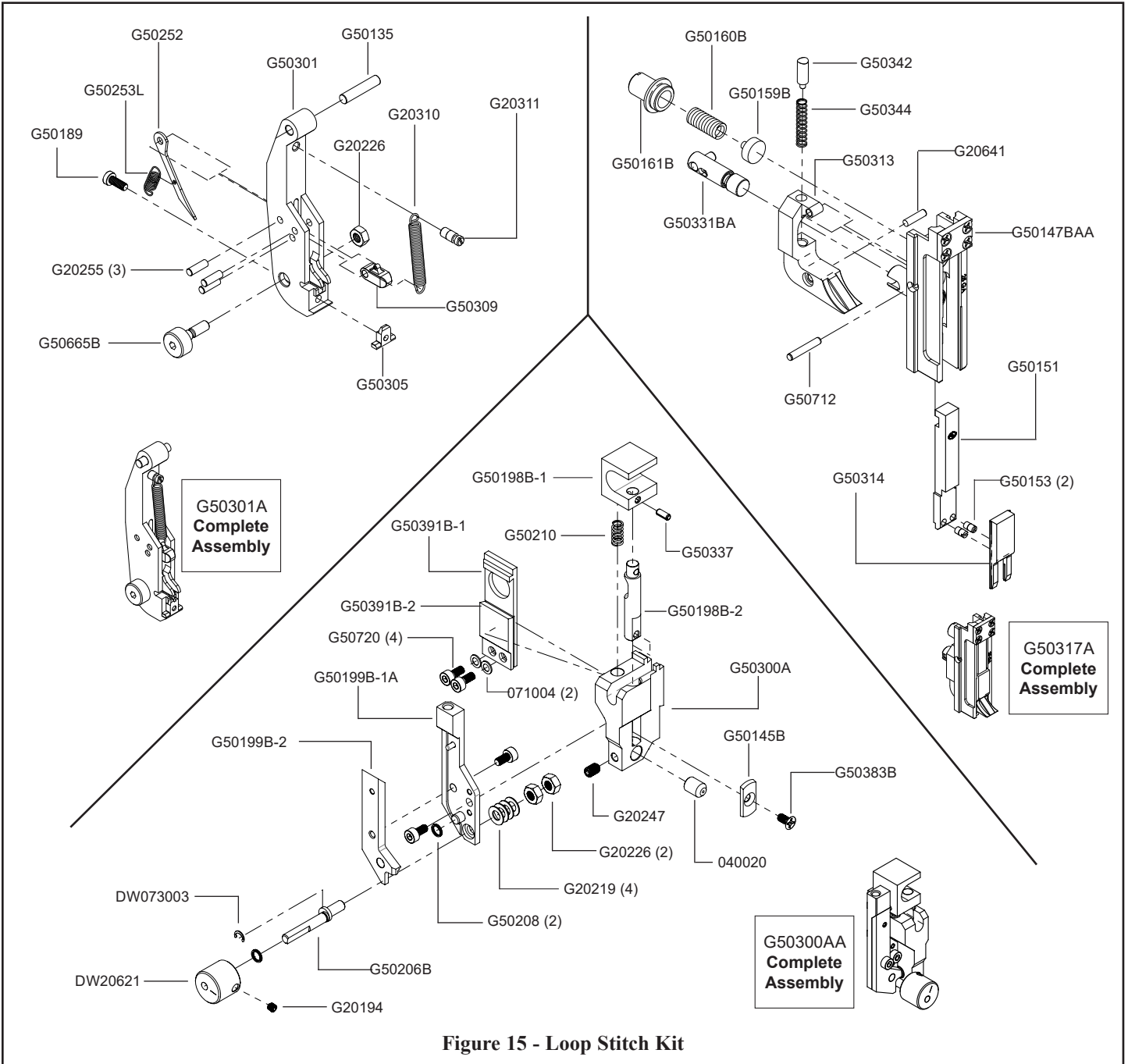


Figure 15 - Loop Stitch Kit

NOTE:

Loop conversion also requires exchange of parts: G20165 with G20165L, G50711 with G50711L and G50144A with G50144AL. See pp. 26, 28 for reference.

G50301A Wire Holder Assembly - LOOP

G20226	Hex Nut M4x.7	1
G20310	Roller Lever Spring	1
G20311	Spring Anchor Screw	1
G20255	Dowel Pin M3x10	3
G50135	Wire Holder Pivot Pin	1
G50189	Screw M3x0.5x10	1
G50252	Wire Hook	2
G502531	Wire Hook Spring - G5 Loop	1
G50301	Wire Holder - Loop	1
G50309	Delay Lever, G5 Loop	1
G50665B	Eccentric Screw, G5 Loop	1
G50305	Anvil G5 - Loop	1

G50317A Bender Bar Assembly - G5 LOOP

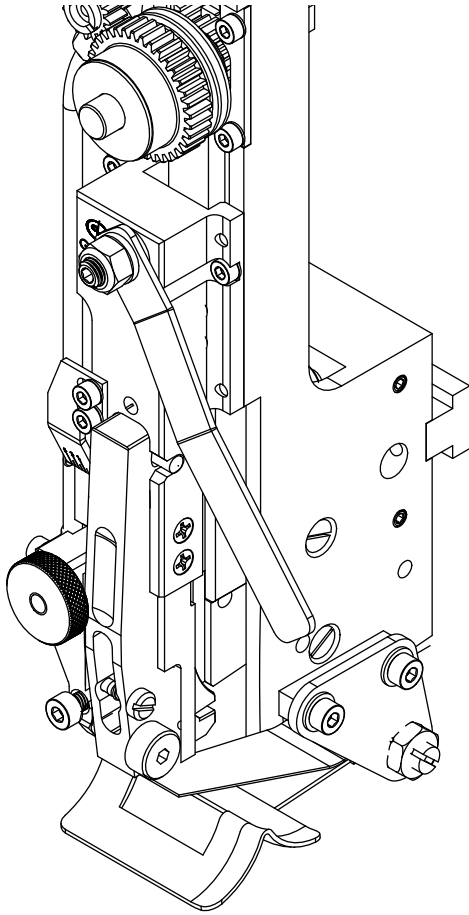
G20641	Dowel Pin M3x12	1
G50147BAA	Bender Bar Assembly	1
G50151	Driver Bar	1
G50153	Driver Retaining Screw	2
G50159B	Friction Plug	1
G50160B	Bender Bar Friction Spring	1
G50161B	Friction Plug Bushing	1
G50313	Supporter, G5 Loop	1
G50314	Driver, G5 Loop	1
G50331BA	Forming Pin Assembly	1
G50342	Spring Slunger, G5 Loop	1
G50344	Supporter Spring, G5 Loop	1
G50712	Dowel Pin M3x18	1
G50331BA	Forming Pin Assembly	1
G50199B-1A	Lower Wire Tube Assembly	1

G50300AA Cutter Box Assembly Complete-G5 LOOP.

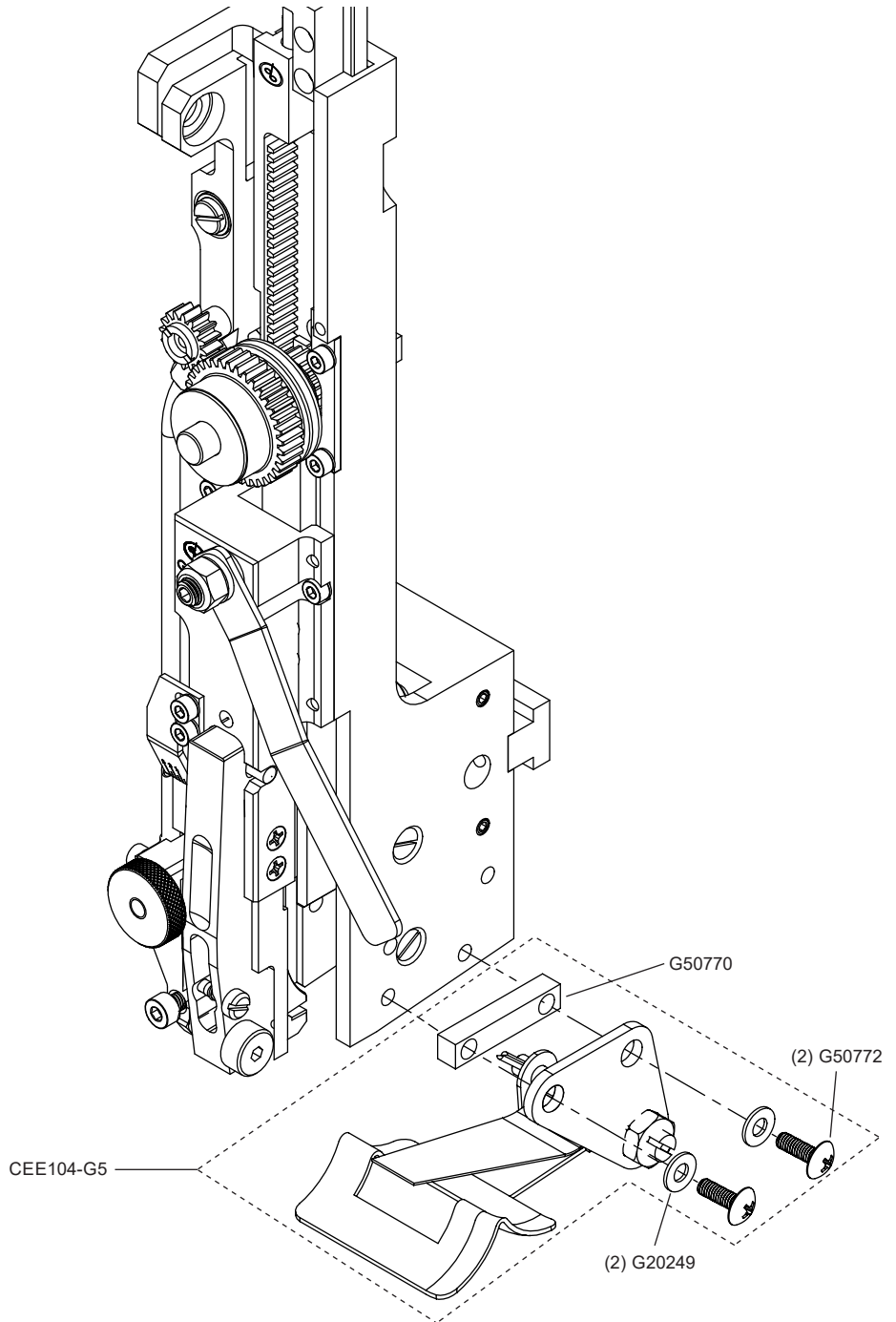
040020	Fixed Cutter, DB45	1
DW073003	Retaining Ring - Low Clear	1
DW20621	Wire Adjustment Knob	1
G20194	Screw M3x0.5x3	1
G20219	Disc Spring	4
G20226	Hex Nut M4x0.7	2
G20247	Screw M4x0.7x6, Nylon	1
G20647	Screw M3x0.5x5, Nylon	2
G50145B	Moving Wire Cutter	1
G50198B-1	Cutter Slide Block - G5 Loop	1
G50198B-2	Cutter Slide Shaft - G5 Loop	1
G50199B-1A	Lower Tube Assembly	1
G50199B-2	Lower Tube Cover - G5 Loop	1
G50206B	Eccentric. Shaft	1
G50208	Roller, G5 loop	2
G50210	Cutter Operating Spring	1
G50300A	Cutter Box Assembly, G5 Loop	1
G50337	Spring Pin M2.5x6, Hardened	1
G50383B	Screw M3X0.5X6, Hardened	1
G50391B-1	Cutter Base - G5 Loop	1
G50391B-2	Base, Adjustment Tab	1
G50720	Screw M3X0.5X6	4

CEE104 - G5
Work Alignment Gauge Assembly

The standard G5 Head can be fitted with a work alignment gauge to properly hold and align the booklet being stitched. Contact your DeLuxe Stitcher Graphic Arts Representative or the DeLuxe Stitcher Customer Service Department for ordering information or for additional technical information on other accessories available..



PROPERLY ASSEMBLED WORK
ALIGNMENT GAUGE TO BONNET



CEE104-G5 Work Alignment Assembly - G5 Heads

072003	Screw M4x0.7x12	2
CEE104	Work Aligment Assembly	1
G20249	M4 Washer	2
G50770	Centerinig Guide Spacer	1

NOTES:

Part Number / Description Cross-Reference

040020	Fixed Cutter	2	G20579	Screw M4x0.7x6	2
042001	Screw M5x0.8x8	2	G20589	Screw M4x0.7x10	1
071004	Lock Washer Ribbed	16	G20615	Screw M5x0.8x8	1
2215	Driving Shaft Connector	1	G20641	Dowel Pin M3x12	1
CA9083A	Clincher Point - Thick, Round	2	G20647	Screw, M3x0.5x5	2
9084B	Adjustable Clincher Slide	1	G50100A	Bonnet Assembly - G5	1
9086JA	Clincher Plate - Thick, G5	1	*G50100BA	Bonnet Assembly - G5	1
9087	Clincher Slide Adjustment Screw	1	G50101	Clamp Block	1
CT9088	Clincher Plate Binder Bolt	2	G50102	Mounting Block - Keyed	1
CT9093A	Clincher Slide - Thick	1	G50110	Large Feed Gear	1
DW073003	Retaining Ring-Low Clearance	1	G50110A	Large Feed Gear Assembly	1
DW20621	Wire Straightener Adjustment Knob	1	G50111A	Feed Pinion Assembly	1
G20121	Feed Release Plunger	1	G50112	Small Feed Gear	1
G20140	Follower Ball Bearing	2	G50114	Feed Gear Pin	1
G20165	Driving Slide Spring	1	G50117	Forming Pin Cam	1
G20165L	Driving Slide Spring - Loop	1	G50119A	Feed Release Handle Assembly	1
G20169B	Driving Slide Plunger Screw Ecc.	1	G50120	Feed Release Handle Bushing	1
G20170	Hex Jam Nut M8x1.25	1	G50126	Screw M5x0.8x25	1
G20179	Screw M3x0.5x4	1	G50127	Feed Rack	1
G20190	Screw M3x0.5x10	2	G50128	Pinion Washer	1
G20191	Screw M4x0.7x8	4	G50129	Large Feed Gear Washer	1
G20194	Screw M3x0.5x3	1	G50130	Feed Adjustment Block	1
G20219	Disc Spring, M4	4	G50131	Feed Slide	1
G20226	Hex Nut M4x.7	2	*G50131B	Feed Slide	1
G20233	Cutter Operating Lever Roller	1	G50132A	Feed Lever Assembly	1
G20236	Tube Pivot Screw	1	G50135	Wire Holder Pivot Pin	1
G20241	Screw M4x0.7x6	2	G50136	Feed Gear Bracket	1
G20247	Screw M4x0.7x6	1	G50137	Feed Gear Clutch	1
G20255	Dowel Pin M3x10	1-3	G50138	Feed Pinion Bearing	1
G20272	Screw M5x0.8x12	1	G50141	Wire Guide Bar	1
G20274	Hex Jam Nut, M6x1	1	G50142	Screw M3x0.5x6	1
G20275	Ball Spring Plunger	1	G50143	Pivot Block	1
G20287	Wire Oiler Felt Spring	1	G50144A	Middle Wire Tube Assembly	1
G20290	Flat Washer, M5	2	G50144AL	Middle Wire Tube Assembly - Loop	1
G20292	Wire Oil Felt, Washer	1	G50145B	Moving Cutter	1
G20293	Wire Oiler Felt	1	G50147BA	Bender Bar	1
G20293B	Wire Oiler Felt, Thin	1	G50147BAA	Bender Bar Assembly	1
G20297	Screw M6x1.0x40	1	G50148	Bender Bar Friction Plate	1
G20298	Nylock Lock Nut, M6x1	2	G50151	Driver Bar	1
G20310	Roller Lever Spring	1	G50152	Driver - 25 Wire	1
G20311	Spring Anchor Screw	1	G50153	Driver Retaining Screw	2
G20360	Hex Key Wrench 3.0mm	1	G50159B	Friction Plug	1
G20374	Hex Key Wrench 2.0mm	1	G50160B	Bender Bar Friction Spring	1
G20515	Dowel Pin M6x14	1	G50161B	Friction Plug Bushing	1
G20520	Ribbed Lock Washer M6	1	G50162B	Driving Slide	1
G20522	Screw M6x1.0x5, Nylon	1	G50174	Feed Rack Adjustment Stud	1
G20573	Feed Rack Adjustment Knob	1	G50162CA	Driving Slide Assembly	1
G20578	Rack Adjustment Knob Detent	1	G50163B	Cutter Operating Cam	1
			G50164C	Plunger	1

* - Supplied with LOT 025 and above

Part Number / Description Cross-Reference

G50169	Driving Slide Plunger - Eccentric	1	G50317A	Bender Bar Assy-Loop	1
G50170	Custom Hex Nut M10 x 1.25	1	G50320A	Driving Slide Assembly - Crank Drive	1
G50171	Screw M6x1.0x6	1	G50320B	Driving Slide, G5 Crank	1
G50174	Feed Rack Adjustment Stud	1	G50320BA	Driving Slide Assembly - Crank Drive	1
G50181	Upper Wire Tube	1	G50321	Crank Link Screw	1
G50182	Feed Gear Plate	1	G50331BA	Forming Pin Assembly	1
G50183	Wire Holder Retaining Spring	1	G50337	Spring Pin-M2.5x6	1
G50186	Feed Gear Friction Spring	1	G50342	Supporter Spring Plunger-Loop	1
G50187	Feed Gear Friction Pad	1	G50344	Supporter Spring-Loop	1
G50189	Screw M3x0.5x10	1	G50366	Bonnet Clamp Pin	1
G50197A	Cutter Box Assembly	1	G50367	Head Mounting Bolt, M8	1
G50198	Cutter Operating Slide	1	G50368	Feed Release Handle Cap - Grey	1
G50198-1	Cutter Operating Slide Block	1	G50383B	Screw M3x0.5x6	7
G50198-2	Cutter Operating Slide Shaft	1	G50391	Cutter Box Mounting Plate	1
G50199	Lower Wire Tube	1	G50391B-1	Cutter Box Mounting Plate-Loop	1
G50199B-1A	Lower Wire Tube Base-Loop	1	G50391B-2	Base Adjustment Tab	1
G50199B-2	Lower Wire Tube Cover-Loop	1	G50394	Flat Washer M8	4
G50200	Fixed Wire Cutter	1	G50397	Shoulder Bolt M8x20	1
G50206	Wire Straightener	1	G50397B	Stud, G5 Lever	1
G50206B	Straightener Eccentric Shaft-Loop	1	G50399	Screw M3x0.5x8	2
G50208	Wire Roller-Loop	2	G50431	Screw M3x0.5x6	1
G50210	Cutter Operating Spring	1	G50559A	Wire Holder Assembly	1
G50223	Dowel Pin M3x6	7	G50604	Cutter Box Guide Plate	1
G50228A	Manual Feed Gear Tool	1	G50617	Wire Holder Retaining Spring Washer	2
G50230A	Cutter Operating Lever Assembly	1	G50646	Cutter Box Eccentric Bearing	2
G50232	Dowel Pin	1	G50665	Wire Holder Adjustment Screw	1
G50235	Dowel Pin M5x12	1	G50665B	Wire Holder Adjustment Screw-Loop-	1
G50237	Cutter Box Adjusting Eccentric	1	G50666	Clincher Alignment Gage, G5	1
G50244	Tube Clip	1	G50695	Screw M6x1.0x20	1
G50245	Cutter Box Adjustment Knob	1	G50703	Feed Lever Spring Screw	1
G50252	Wire Hook	1	G50705	Shoulder Screw M6x8	2
G50253	Wire Hook Spring	1	G50707	Double Open End Wrench - 5.5 & 7mm	1
G50253L	Wire Hook Spring-Loop	1	G50708	T-Handle Hex Key Wrench	1
G50254	Wire Holder Spring Screw	1	G50710	Clincher Plate Nut	2
G50256	Scale	1	G50711	Cutter Box Eccentric Screw Spring	2
G50262A	Small Feed Gear Shaft Assembly	1	G50711L	Cutter Box Ecc. Screw Spring - Loop	1
G50264	E-Ring 6mm	2	G50712	Dowel Pin M3x18	1
G50266	Dowel M5x10	1	G50713	Hex Jam Nut M5	1
G50268	Feed Lever Spring	1	G50714	Feed Lever Spacer	1
G50279A	Wire Guide Spring Asy - 90 Deg	1	G50716	Mounting Block Handle	1
G50286A	Wire Guide Spring Asy - 180 Deg	1	G50717	Hex Nut M3x0.5	2
G50300A	Cutter Box Assy-Loop	1	G50718	Feed Gear Spring	1
G50300AA	Cutter Box Assy-Loop-Complete	1	G50719	Lower Tube Clip	1
G50301	Wire Holder-Loop	1	G50720	Screw M3x0.5x6	9
G50301A	Wire Holder Assy-Loop	1	G50721	Screw M3x0.5x10	6
G50305	Anvil-Loop	1	G50722	Feed Release Handle Stop	1
G50309	Delay Lever	1	G50800CA	Wire Anti-Back Up Unit - M6 Tube	1
G50313	Supporter-Loop	1	UA4808.7	Screw 1/4-28 x 1/4	1
G50314	Drive, #25-Loop	1			

LIMITED WARRANTY

DeLuxe Stitcher Company warrants to the original retail purchaser that this product is free from defects in material and workmanship and agrees to repair or replace, at DeLuxe Stitcher's option, any defective product within 90 days from the date of purchase. This warranty is not transferable. It covers damage resulting only from defects in material or workmanship and does not cover conditions or malfunctions resulting from normal wear, neglect, abuse or accident.

This warranty is in lieu of all other express warranties. Any warranty of merchantability or fitness for a particular purpose is limited to the duration of this warranty. DeLuxe Stitcher shall not be liable for any incidental or consequential damages.

Some states do not allow limitations on how long an implied warranty lasts, or the exclusion or limitation of incidental or consequential damages, so the above limitations or exclusions may not apply to you. This warranty gives you specific legal rights and you may also have other rights which vary from state to state.

To obtain warranty service you must return the product, at your expense, together with proof of purchase to an authorized DeLuxe Stitcher Company Graphic Arts Dealer.

REGISTRATION

To better service your wire stitching needs, please take a moment to fill out and return this registration card.

Please take a moment to fill out the attached card and mail it to DeLuxe Stitcher Company, Inc.. In addition, duplicate the information for your records to assist when making further inquiries.

CUSTOMER

Name : _____
(First) _____ (Middle Initial) _____ (Last) _____
Company : _____
Street Address : _____
City : _____ State/Province : _____ Zip : _____
Country : _____
Phone : _____ Fax : _____ E-mail : _____

PRODUCT

Machine(s) Purchased : _____
Serial Number(s) : _____
With Head(s) : _____
(Type/Quantity Purchased) _____
Serial Number(s) : _____
Head(s) Purchased : _____
Serial Number(s) : _____

DEALER

Date Received : _____
Dealer Name : _____
Dealer Street Address : _____
City : _____ State/Province : _____ Zip : _____
Country : _____
Dealer Phone : _____
Other Bindery Products Used : _____

PRODUCT

Machine(s) Purchased : _____
Serial Number(s) : _____
With Head(s) : _____
(Type/Quantity Purchased) _____
Serial Number(s) : _____
Head(s) Purchased : _____
Serial Number(s) : _____

DELUXE STITCHER GRAPHIC ARTS REPRESENTATIVE

Date Received : _____
Dealer Name : _____
Dealer Street Address : _____
City : _____ State/Province : _____ Zip : _____
Country : _____
Dealer Phone : _____

Would you like information sent to you about new products that would benefit your company? Yes No

PLACE
STAMP
HERE

**DELUXE STITCHER
COMPANY, INC.**
3747 N Acorn Lane
Franklin Park, Illinois 60131 U.S.A.
Attn: Customer Service



3747 Acorn Lane • Franklin Park • Illinois 60131
Phone: 847-455-4400 • 800-634-0810
Fax: 847-455-4900 • 800-417-9251
<https://www.deluxestitcher.com>

DBSG5 0121