



MTPB7437-22

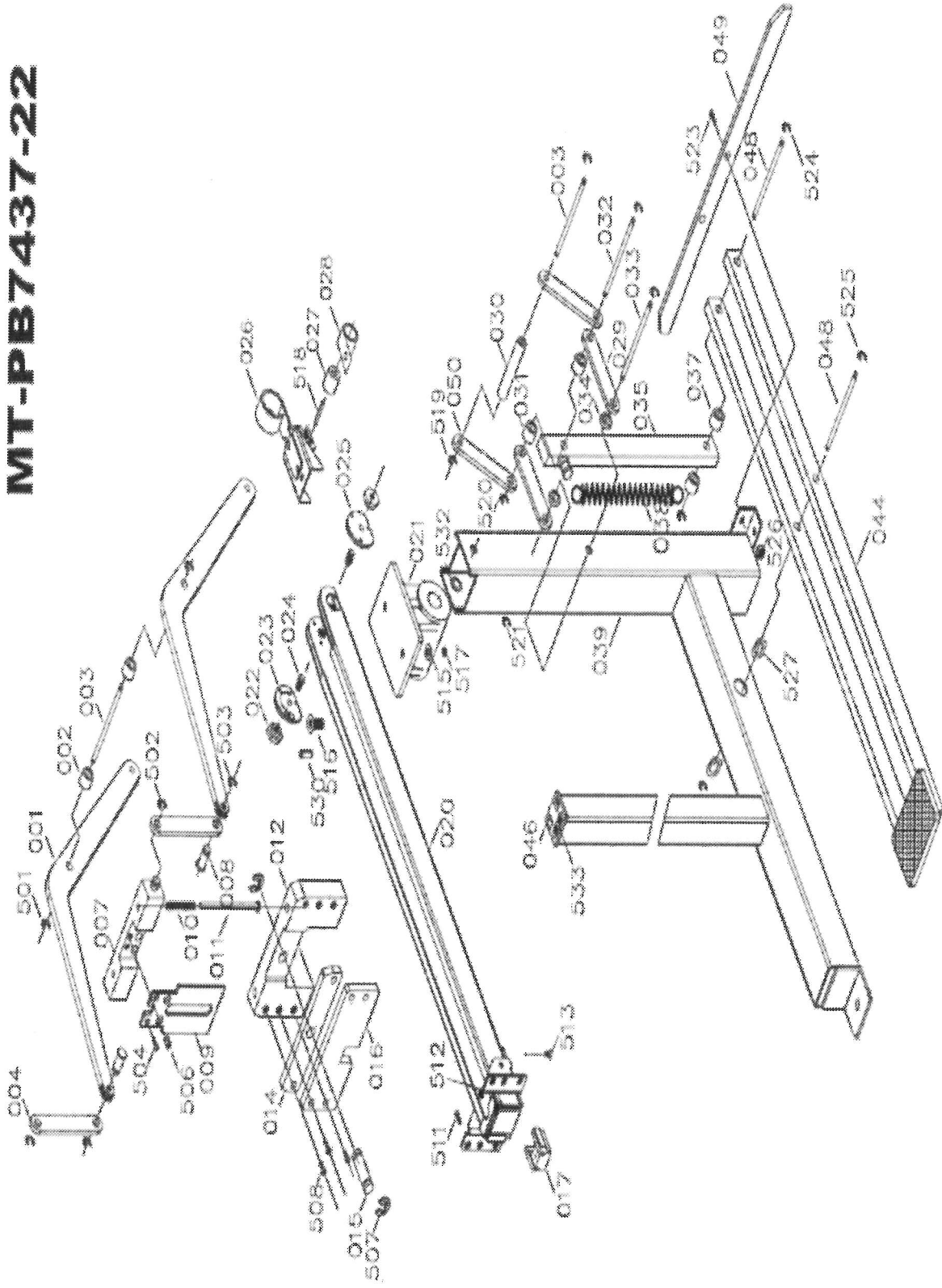
Foot Carton Bottom Stapler



Schematic & Spare Parts List

Dimensions	910mm x 600mm x 1245mm
Weight	30kgs
Staples Specification	Crown, length 15mm, 18mm
Staples Capacity	200

MT-PB7437-22



20070905

MT-PB7437-22		NOTE: When ordering spare parts. Please state the part name and part number.					2022/3/10
Item	Part No.	Description	Q'ty	Item	Part No.	Description	Q'ty
001	XM10062	LINK 1	2	050	XM10111	LINK 3 -C	2
002	XM10063	TUBE	2	501	XM10112	E-RING	2
003	XM10064	SHAFT E	2	502	XM10113	E-RING	2
004	XM10065	LINK 2	2	503	XM10113	E-RING	2
007	XM10066	DRIVER SEAT	1	504	XM10114	HEX.SOC.HD.BOLT	2
008	XM10067	SHAFT C	2	506	XM10115	SPRING PIN	2
009	XM10071	DRIVER	1	507	XM10116	E-RING	2
010	XM10072	SPRING	2	508	XM10117	HEX.SOC.HD.BOLT	6
011	XM10073	SPRING SHAFT	2	511	XM10118	HEX.SOC.HD. BOLT	6
012	XM10074	MAGAZINE SEAT	1	512	XM10119	LOCK NUT	1
014	XM10078	COVER B	1	513	XM10120	HEX.SOC.FLAT COUNTER SUNK HD. SCREW	1
015	XM10079	SHAFT D	1	515	XM10135	SPRING WASHER	2
016	XM10080	COVER A	1	516	XM10122	HEX.SOC.FLAT COUNTER SUNK HD. SCREW	2
017	XM10081	BRACKET	1	517	XM10123	LOCK NUT	2
020	XM10974	MAGAZINE UNIT	1	518	XM10124	SPRING PIN	1
021	XM10085	BRACKET	1	519	XM10112	E-RING	2
022	XM10086	NUT	2	520	XM10112	E-RING	2
023	XM10087	RIGHT PUSHER GUIDE	1	521	XM10112	E-RING	2
024	XM10088	ROD	2	523	XM10127	HEX.SOC.HD.BOLT	2
025	XM10089	LEFT PUSHER GUIDE	1	524	XM10112	E-RING	2
026	XM10094	PUSHER SET	1	525	XM10112	E-RING	2
027	XM10095	ROLLER	1	526	XM10128	LOCK NUT	2
028	XM10096	SPRING	1	527	XM10295	WAVE WASHER	2
029	XM10097	LINK 3 -A	2	530	XM10144	SPRING PIN	4
030	XM10098	TUBE	1	532	XM10140	WAVE WASHER	4
031	XM10272	TUBE	2	533	XM10139	HEX.SOC.ROUND.HD.SCREW	2
032	XM10273	SHAFT E	1				
033	XM10101	SHAFT F	1				
034	XM10102	TUBE	2				
035	XM10276	LINK 4 SET	1	MOQ for items in the following categories is 10pcs, order quantities under 10pcs for these items will be adjusted accordingly			
037	XM10272	TUBE	2				
038	XM10277	SPRING	1				
039	XM10304	BODY SET	1	1.	Orings – not included in the oring kits		
044	XM10279	STEP BOARD SET	1	2.	Screws, bolts		
046	XM10109	MOLD	1	3.	Pins - roll pin, solid pins		
048	XM10281	SHAFT G	2	4.	Standard washers – not special washers.		
049	XM10110	BALANCER	1	5.	Nuts		