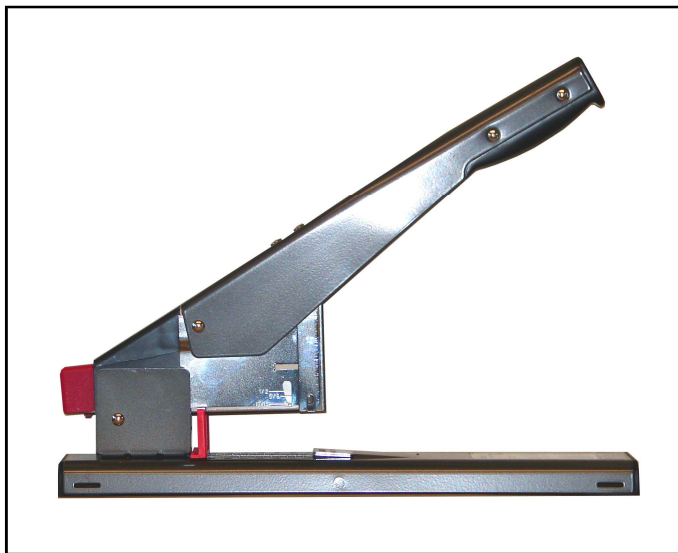


Classico™

S924

Heavy Duty Stapler



An Outstanding Stapler for:

- Architectural plans and specifications
- Bookbinding
- Raffle tickets
- Fabric swatch stapling
- Library book repairs

Specifications:

Length:	360mm
Height:	275mm
Width:	84mm
Weight:	1.5kg
Throat depth:	70mm
Stapling capacity:	2-240 sheets

SIFCO®

fastening solutions

AUCKLAND

34 Lansford Cres
Avondale
Ph 09 828 2019
Fax 09 828 2017

TAURANGA

3/94 Newton Rd
Mt Maunganui
07 575 0088
07 575 6546

CHRISTCHURCH

8 Holt Place
Burnside
03 358 8135
03 358 8930

Email: sales@sifco.co.nz

www.sifco.co.nz



Heavy Duty Office Stapler

Features:

- High leverage metal handle
- Rear loading magazine
- Adjustable paper gauge
- Penetrates thick materials easily
- All metal construction

The S924 extra heavy duty stapler is designed for office and light industrial use. It will clinch firmly and securely even if stapling up to 240 sheets of 80gsm paper.

The adjustable paper stop allows paper to be inserted up to a depth of 70mm.

The S924 has rear loading magazine assembly that makes it quick and easy to load various sized staples.

Staple Size & Capacity:

Uses 6 Staple Sizes (23/6~23/24) :
Staples 2-240 sheets

