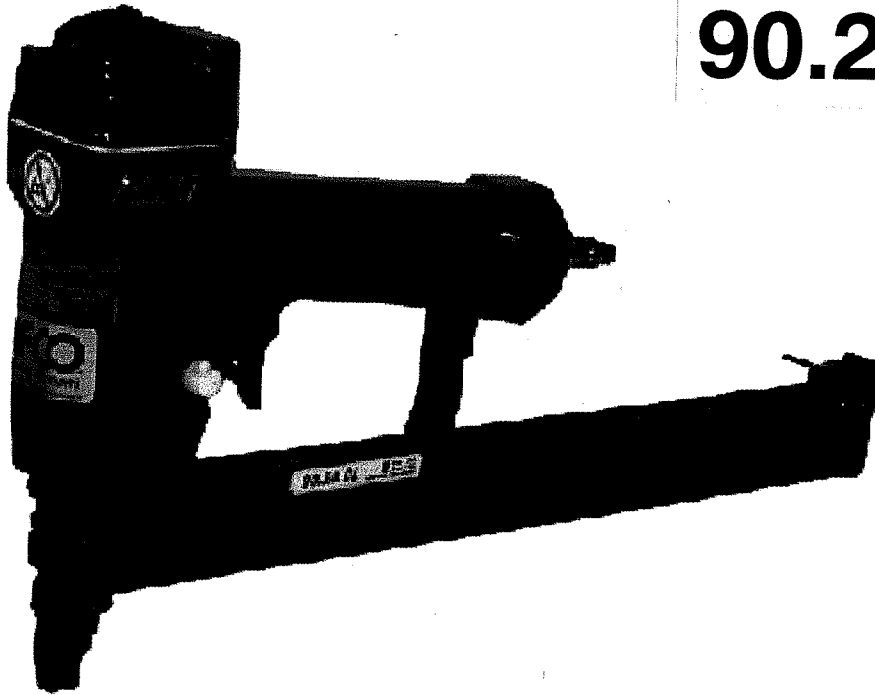


PNEUMATIC TOOLS AND FASTENERS

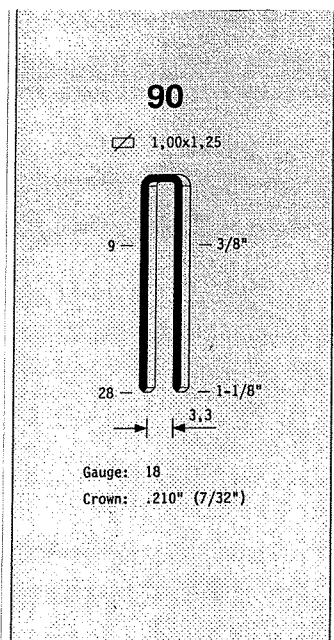
90.28 CL



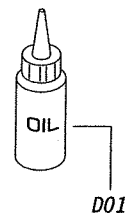
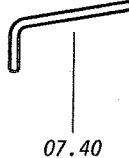
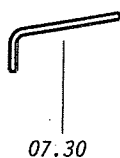
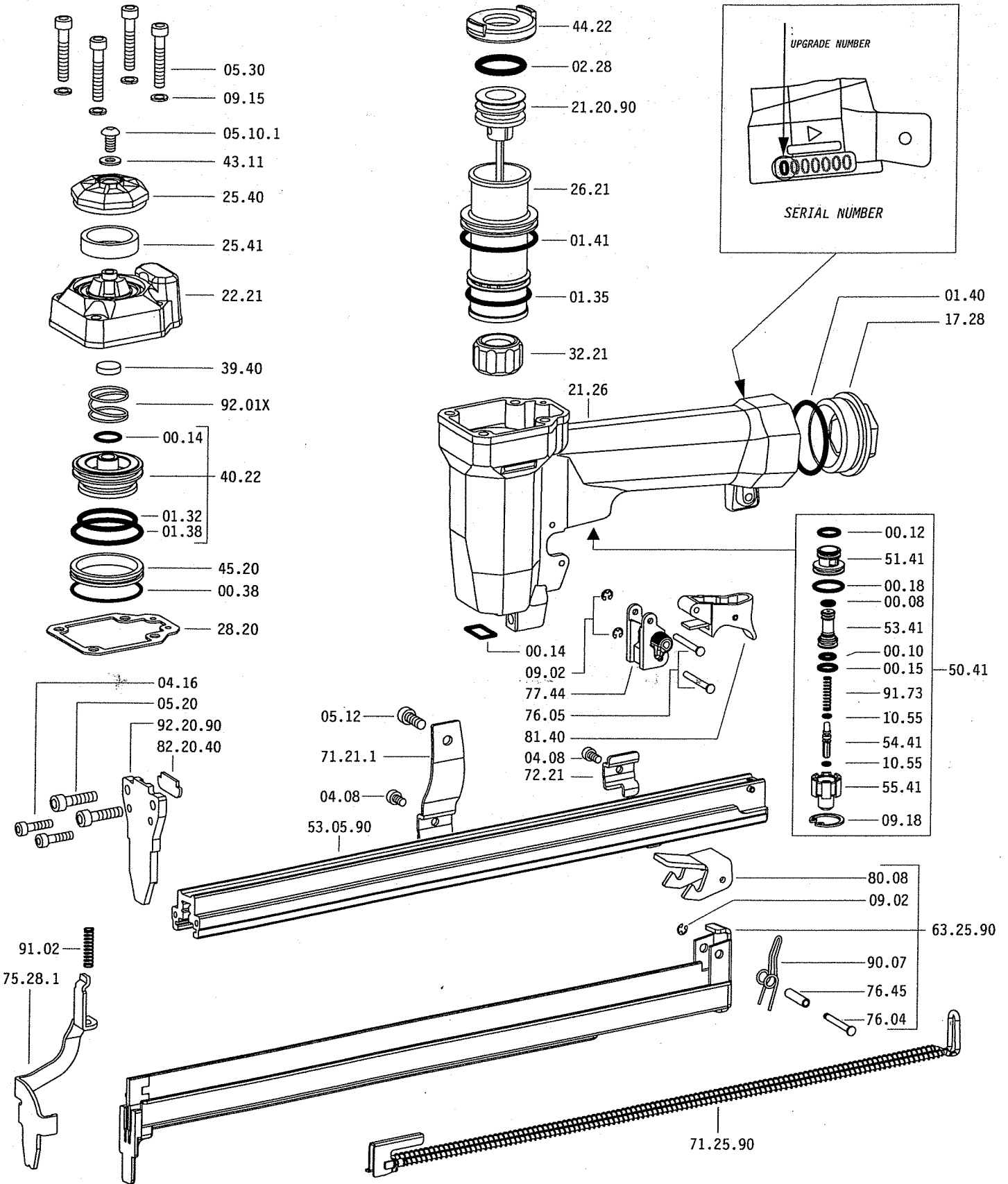
Technical Data	90.28 CL
----------------	----------

Usable lengths 9-28mm
Magazine capacity 210 fasteners

Weight	1.15 Kg	
Dimensions	387 x 50 x 211 mm	
Min. Max. Pressure	5 ÷ 7.5 bar	70 ÷ 105 psi
Air Consumption	0.54 litres/shot	
Sound pressure at The workstation ISO 11201: 1995	80.1 dB(A)	
Emitted sound power ISO 3744:1994	86.9 dB(A)	
Weighted mean value of Vibration on the grip ISO 5349-1986 IOS 8662-11	1.71m/s ²	



SPARE PARTS FOR OMER 90.28 CL



SPARE PARTS FOR OMER 90.28 CL

Cod.	Description
00.08	O-Ring
00.10	O-Ring
00.12	O-Ring
00.14	O-Ring
00.15	O-Ring
00.18	O-Ring
00.38	O-Ring
01.32	O-Ring
01.35	O-Ring
01.38	O-Ring
01.40	O-Ring
01.41	O-Ring
02.28	O-Ring
04.08	Screw
04.16	Screw
05.10.1	Screw
05.12	Screw
05.20	Screw
05.30	Screw
07.30	Hex. bar wrench
07.40	Hex. bar wrench
09.02	Elastic ring
09.15	Washer
09.18	Elastic ring
10.55	O-Ring
17.28	Inlet cap
21.26	Body
22.21	Head
25.40	Exhaust deflector
25.41	Silencer
26.21	Cylinder
28.20	Head gasket
32.21	Bumper
39.40	Exhaust seal
40.22	Valve ass'y
43.11	Washer
44.22	Gasket
45.20	Ring
50.41	Trigger valve ass'y
51.41	Trigger valve housing
53.41	Valve piston
54.41	Trigger valve
55.41	Bush
71.21.1	Support
72.21	Slider-Stop
5.28.1	Safety
76.04	Pin72.21
76.05	Pin
76.45	Pin
77.44	Safety guide
80.08	Trigger
81.40	Trigger
90.07	Spring
91.02	Spring
91.73	Spring
92.01X	Spring
21.20.90	Driver
53.05.90	Magazine
63.25.90	Slider
71.25.90	Pusher
82.20.40	Nose
92.20.90	Nose plate
D01	Oiler

