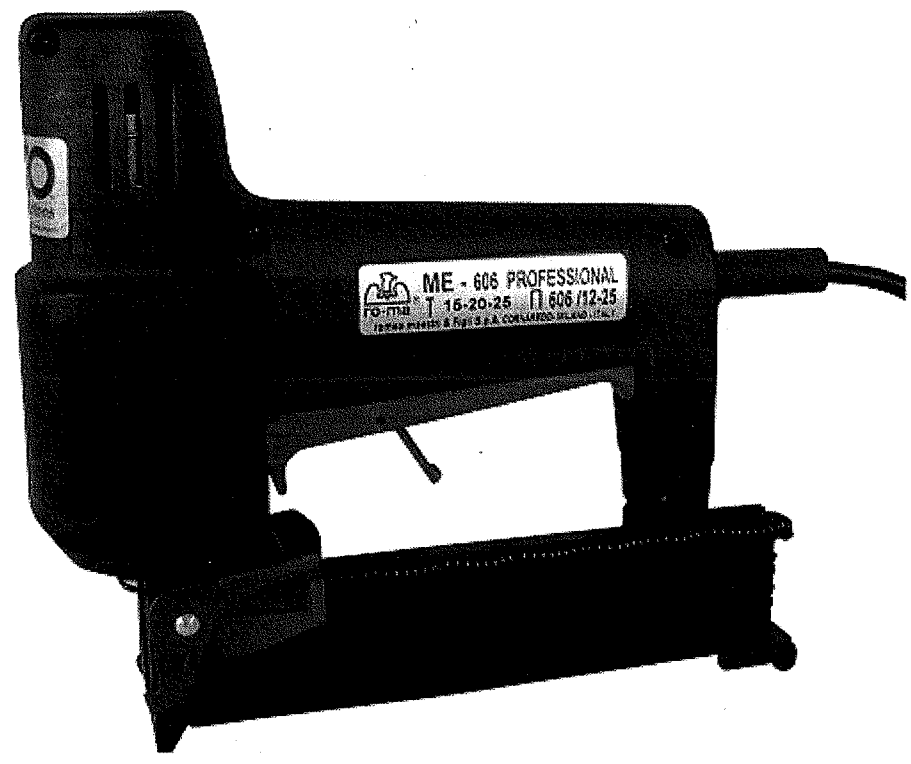


Master



# Model ME606 Electric Stapler



**SIFCO**  
*fastening solutions*

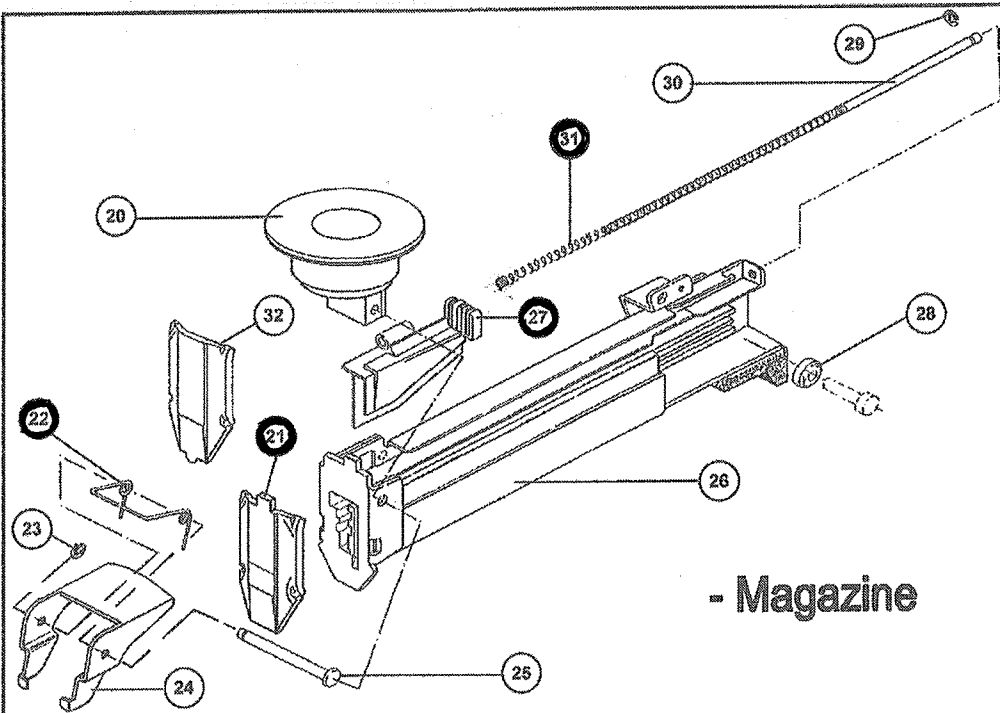
<b>AUCKLAND</b> 34 Lansford Cres Avondale Ph (09) 828 2019 Fax (09) 828 2017	<b>TAURANGA</b> 3/94 Newton Rd Mt Maunganui (07) 575 0088 (07) 575 0088	<b>WELLINGTON</b> 350 Jackson St Petone (04) 568 7065 (04) 568 7064	<b>CHRISTCHURCH</b> 8 Holt Place Burnside (03) 358 8135 (03) 358 8930
--	---	---	---

Email: sales@sifco.co.nz



Electric Tacker

ME 606 AUSTRALIA



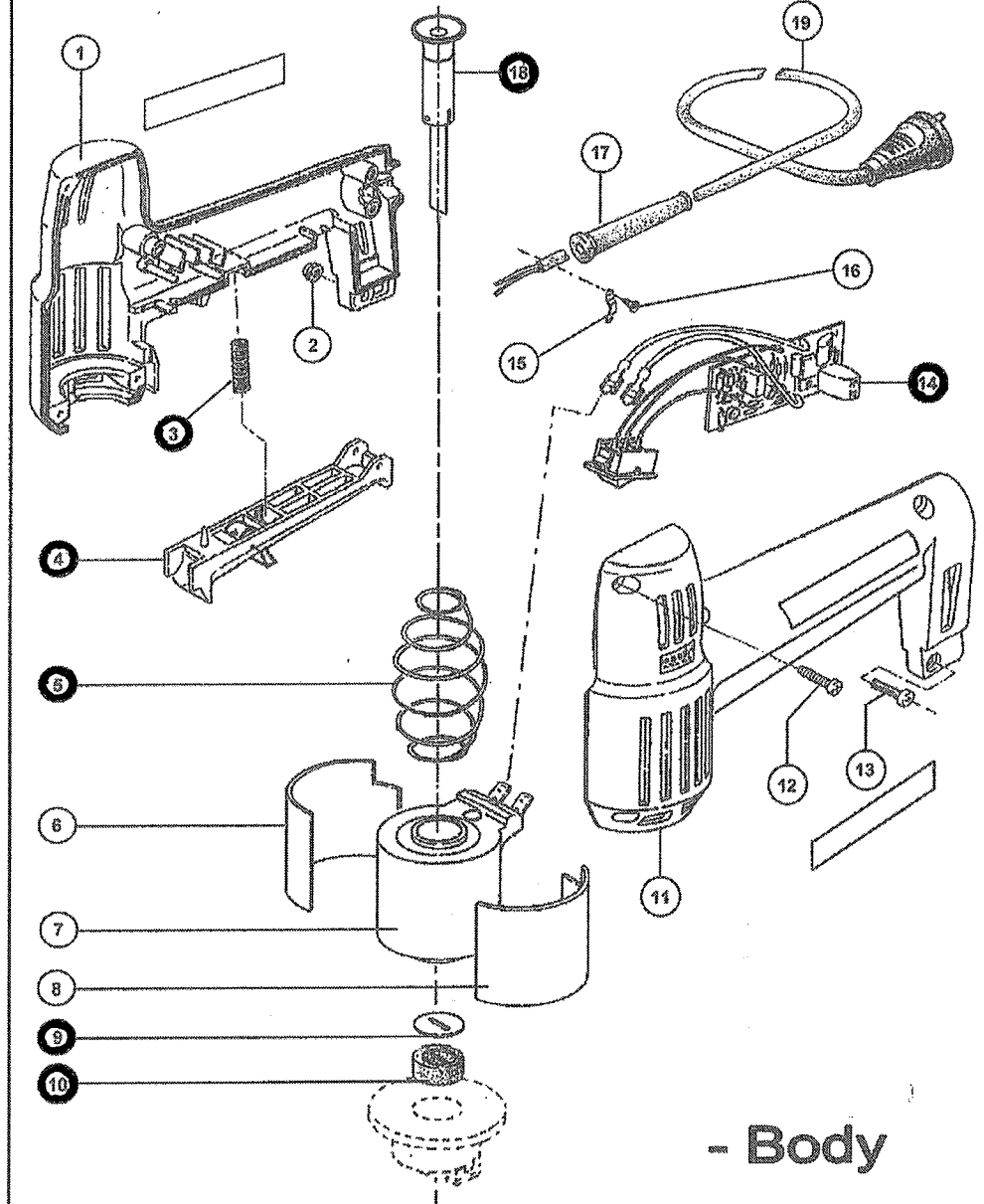
- Magazine

Rif.No.	Code
1+11+12	49061
2	51002
3+4	49066
5+9+10	49012
6	70350
7	40002
8	70361
13	50004
14	40012
15	70352
16	50028
17+19	49026
18	42825
20	70821
21	71340
22	70819

Rif.No.	Code
23	54005
24	71405
25	70802
26	42828
27	62323
28	70803
29	54011
30	71357
31	70801
32	71347

Rif.No.	Code
26+27+29 30+31	42827

○ RECOMMENDED SPARE PARTS



- Body