



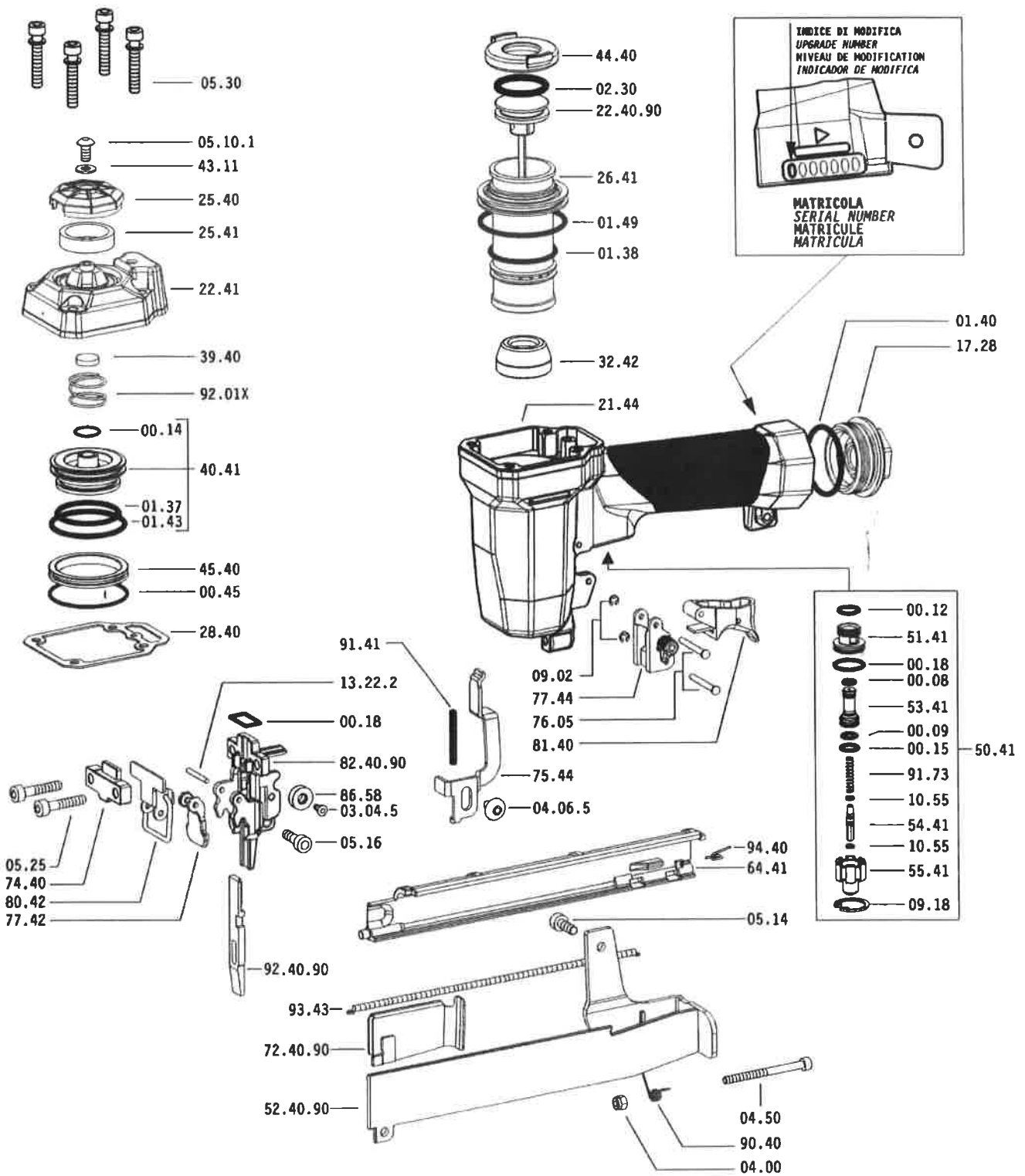
# 90.32

## USE, MAINTENANCE & SPARE PARTS MANUAL

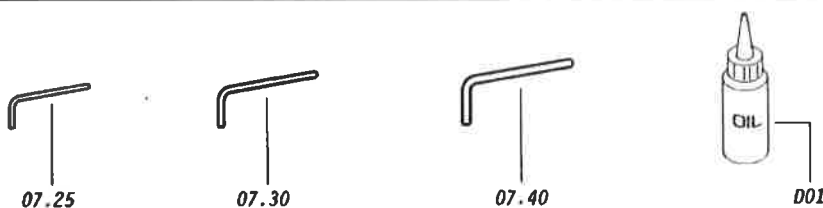


| <b>TECHNICAL DATA</b>  |  | <b>Cod. 1427000</b>                          |
|--|--|--|
| <b>Usable lengths mm</b>   | 15 ÷ 32  | <b>Type of Fastener</b><br><br><b>90</b><br> |
| <b>Magazine capacity, no. of fasteners</b>   | 115  |  |
| <b>Working pressure</b>  | 5 ÷ 7.5 bar<br>70 ÷ 105 psi                                    |  |
| <b>Air consumption litres/shot</b>   | 0.45   |  |
| <b>Weight kg</b>   | 1.25   |  |
| <b>Dimensions mm</b>   | 246 x 58 x 216   |  |
| <b>Sound pressure at work station</b><br>EN 12549:1999 ISO 11201:1995                          | 83.1 dB(A)   |  |
| <b>Emitted sound power</b><br>EN 12549:1999 ISO 3744:1994                                      | 92.9 dB(A)   |  |
| <b>Weighted mean value of vibration on the grip</b><br>EN 28662:1992 ISO 5349:1986 ISO 8662-11 | Sequential 6.40 m/s <sup>2</sup><br>Bump 6.06 m/s <sup>2</sup> | <b>September 2017</b>                        |

# SPARE PARTS



# EQUIPMENT



SEPT 2017

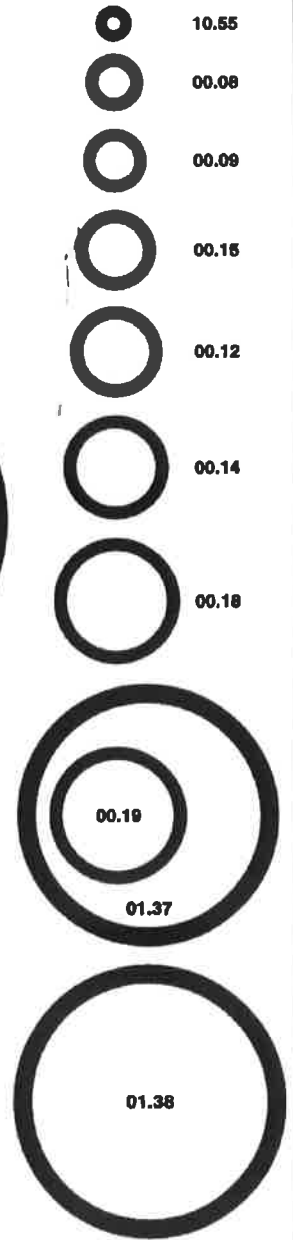
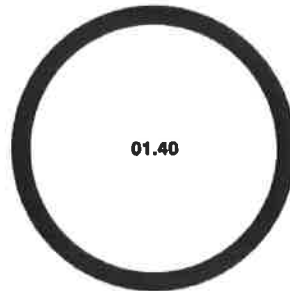
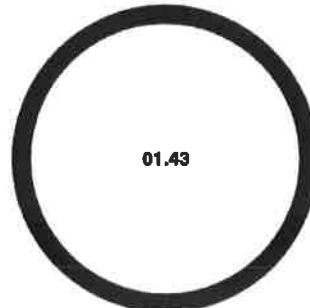
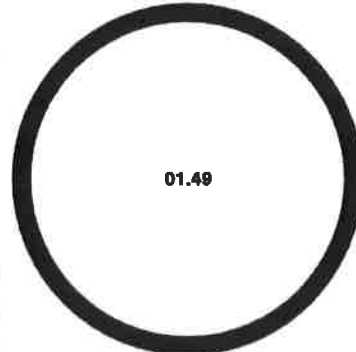
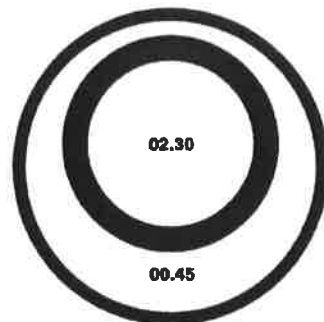
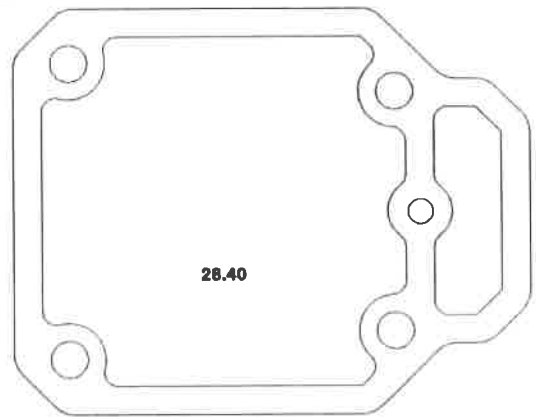
**90.32**

cod. 1427000

# SPARE PARTS

| Cod.     | Description           |
|----------|-----------------------|
| 00.08    | O-Ring                |
| 00.09    | O-Ring                |
| 00.12    | O-Ring                |
| 00.14    | O-Ring                |
| 00.15    | O-Ring                |
| 00.18    | O-Ring                |
| 00.45    | O-Ring                |
| 01.37    | O-Ring                |
| 01.38    | O-Ring                |
| 01.40    | O-Ring                |
| 01.43    | O-Ring                |
| 01.49    | O-Ring                |
| 02.30    | O-Ring                |
| 03.04.5  | Screw                 |
| 04.00    | Nut                   |
| 04.06.5  | Screw                 |
| 04.50    | Screw                 |
| 05.10.1  | Screw                 |
| 05.14    | Screw                 |
| 05.16    | Screw                 |
| 05.25    | Screw                 |
| 05.30    | Screw                 |
| 07.25    | Hex. bar wrench       |
| 07.30    | Hex. bar wrench       |
| 07.40    | Hex. bar wrench       |
| 09.02    | Elastic ring          |
| 09.15    | Washer                |
| 09.18    | Elastic ring          |
| 10.55    | O-Ring                |
| 13.22.2  | Pin                   |
| 17.28    | Inlet cap             |
| 21.44    | Body                  |
| 22.41    | Head                  |
| 25.40    | Exhaust deflector     |
| 25.41    | Silencer              |
| 26.41    | Cylinder              |
| 28.40    | Head gasket           |
| 32.42    | Bumper                |
| 39.40    | Exhaust seal          |
| 40.41    | Valve ass'y           |
| 43.11    | Washer                |
| 44.40    | Gasket                |
| 45.40    | Ring                  |
| 50.41    | Trigger valve ass'y   |
| 51.41    | Trigger valve housing |
| 53.41    | Valve piston          |
| 54.41    | Trigger valve         |
| 55.41    | Bush                  |
| 64.41    | Hold down             |
| 74.40    | Nose guide            |
| 75.44    | Safety                |
| 76.05    | Pin                   |
| 77.42    | Safety nose plate     |
| 77.44    | Safety guide          |
| 80.42    | Nose plate lock       |
| 81.40    | Trigger               |
| 86.58    | Pulley                |
| 90.40    | Spring                |
| 91.41    | Spring                |
| 91.73    | Spring                |
| 92.01X   | Spring                |
| 93.43    | Spring                |
| 94.40    | Spring                |
| 22.40.90 | Driver                |
| 52.40.90 | Magazine              |
| 72.40.90 | Pusher                |
| 82.40.90 | Nose                  |
| 92.40.90 | Nose plate            |
| D01      | Oiler                 |

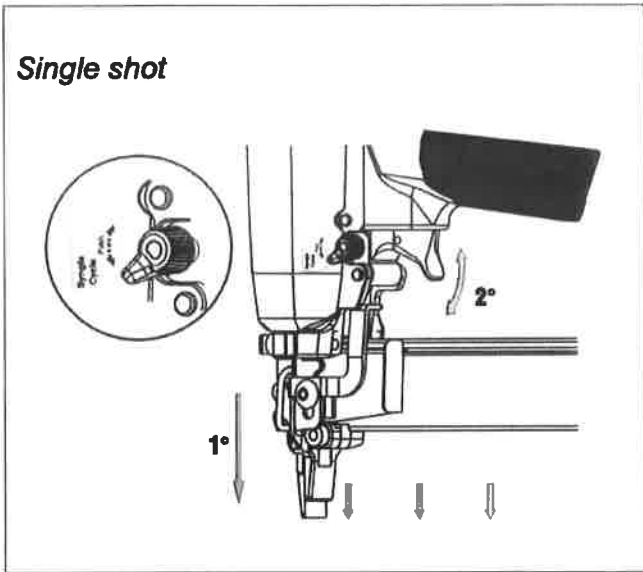
Joints - Kit O-Rings



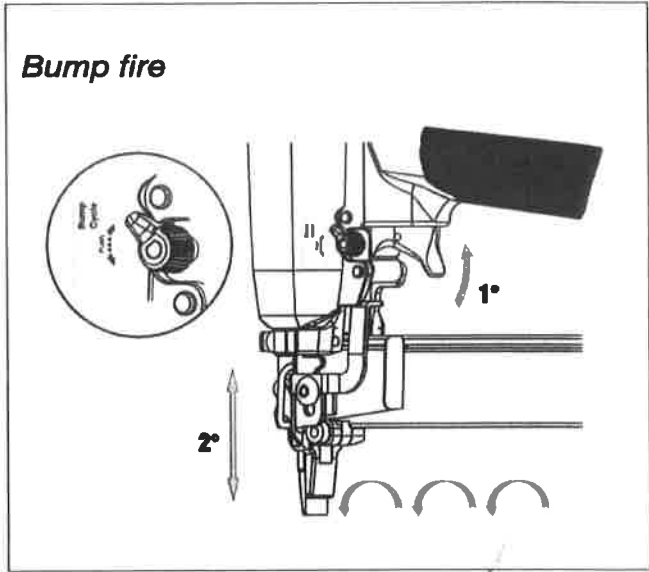
**00.74.1**

# Features

**Single shot**



**Bump fire**



**Quick clearance jammed nails**

**Stop firing device to signal empty magazine**

